



0.635mm Contact Spacing, Board To Board SMT Connectors EBB-PS25 SERIES

■ FEATURES

- 0.635mm contact spacing.
- No. of contacts: 20~60 Pin. (each 10 pin)
- Polarization key prevent mismatching.
- Available in embossed type for automatic mounting.

■ SPECIFICATIONS

1.ELECTRICAL

- Voltage rating: 100VAC
- Current rating: 0.5A per contact
- Contact resistance: 40mΩ max.
- Insulation resistance: 1000MΩ min.
- Withstanding voltage: 250VAC for 1 min.
- Ambient operating Temperature: -40°C ~ +85°C

2.MECHANICAL

- Durability: Mate & Unmate with applicability for 250 times, Contact resistance: 20mΩ max.
- Connector Mating Force (50Pin): 3.5kgf (34.3N)
- Connector Unmating Force (50 Pin): 0.6kgf (5.88N)
- Terminal Retention Force: 0.2kgf (1.96N) min.

■ MATERIALS

1.MATERIAL

- Contacts: Copper Alloy
- Insulator Housing: High Temp. Thermoplastic
- Hold down: Copper Alloy

2.PLATING

Contact:

- Nickel In All Area
- Au over Nickel (Socket & Plug Connector) (RoHS Compliant)
- Tin & Au over Nickel (Plug Connector only) (RoHS Compliant)

Hold down:

- Nickel In All Area
- Tin over Nickel (RoHS Compliant)

■ PACKING

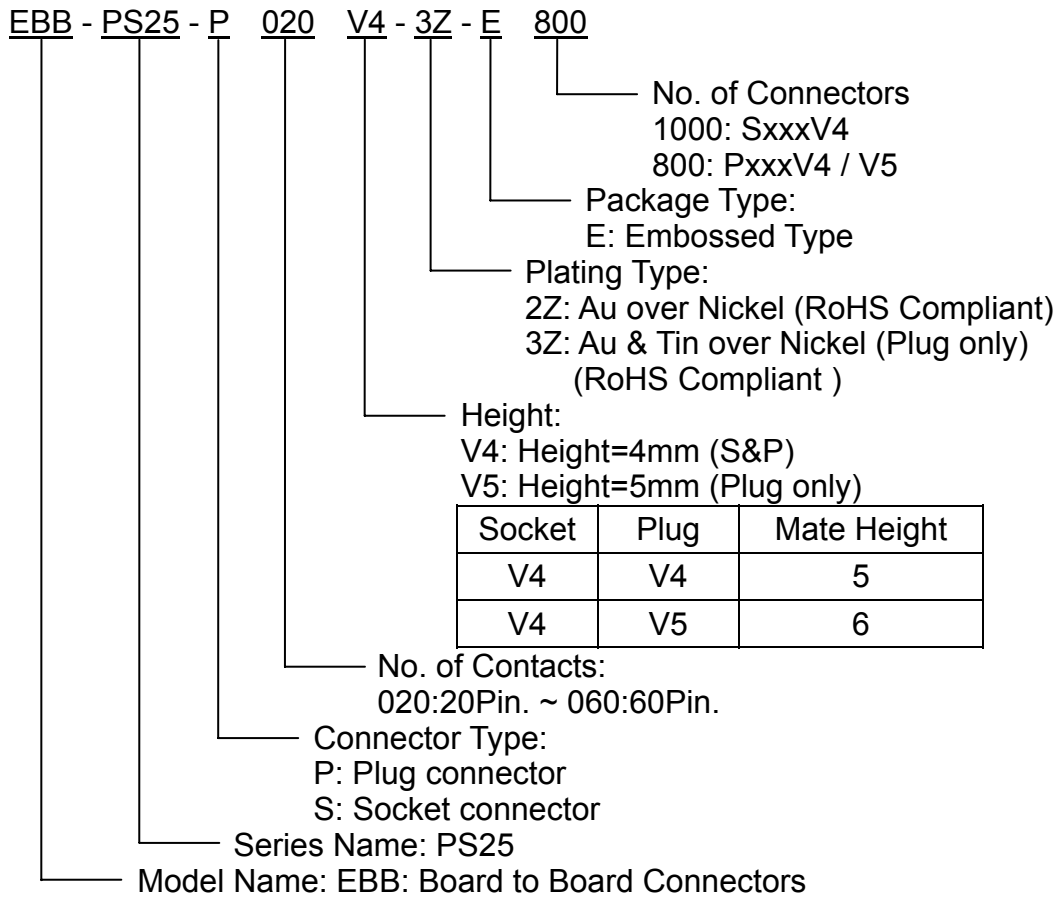
1.Packing method

- All connector are packed in reel method.

2.Information on label (stuck to each ploy bag, reel and box)

- | | | | |
|--------------|------------------|--------------|--------------|
| (1)Part NO. | (2)Section. | (3)Lot NO. | (4)Quantity. |
| (5)QC stamp. | (6)Reprocess NO. | (7)ECE mark. | |

■ PART NUMBERING SYSTEM



■ DIMENSIONS UNIT:mm

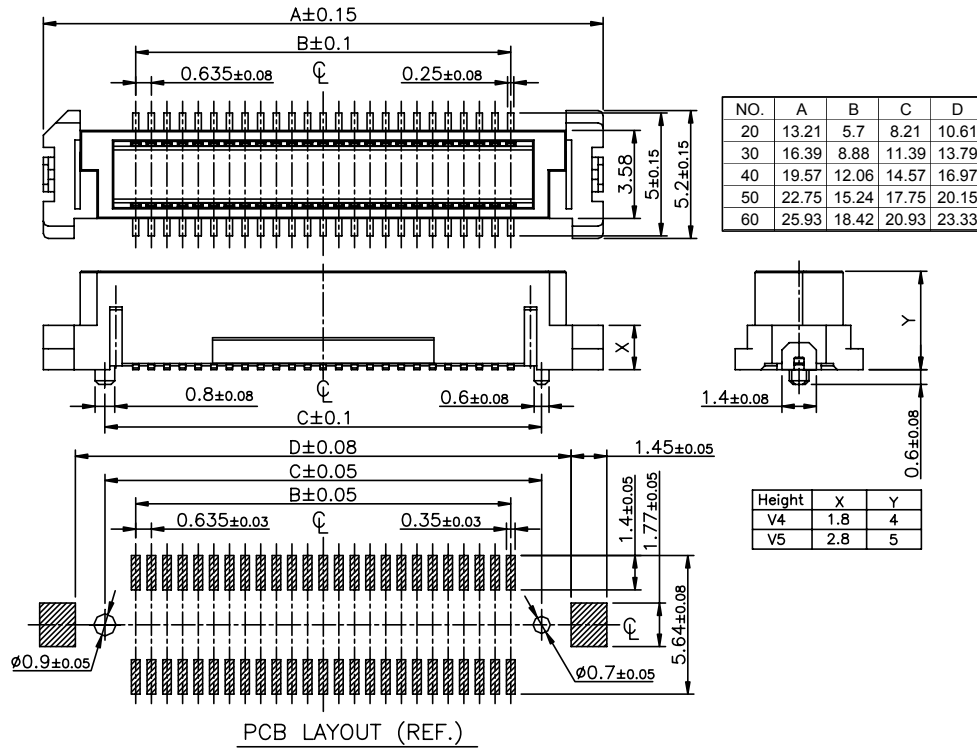
EBB-PS25-P0**V4/V5



EBB-PS25-S0**V4



EBB-PS25-P0xxVx UNIT:mm
Connection Style: Straight Plug



EBB-PS25-S0xxV4 UNIT:mm
Connection Style: Straight Receptacle

