



# Terminal Block

## WIRE TO P.C.B. TYPE TERMINAL BLOCK

TÜV R50008092  
E133988(R)

ETB55 SERIES

MOUNT TYPE / BARRIER TYPE

PITCH=6.35mm

### FEATURES

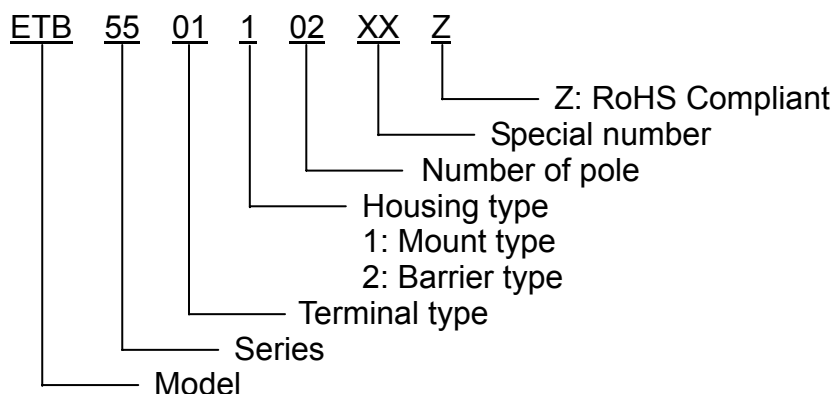
- Can be supplied in any number of positions
- Special wire protector design to ensure reliable wire clamping
- UL 94V-0 grade fire retardant engineering plastic used for the housing
- Be capable of clamping a wide range of wire diameters
- Wide choice of pitch & terminal

### SPECIFICATIONS

- Pitch 6.35mm (0.25 inch)
- Wire range 18~22 AWG
- Rating 10 Amp, 300 VAC
- Housing material Thermoplastic (UL 94V-0) Black
- Terminals Tin plated over Brass
- Screws Nickel plated over Steel
- Dielectric strength 2000 VAC (Min.)
- Insulation resistance 1000 MΩ, 500 VDC

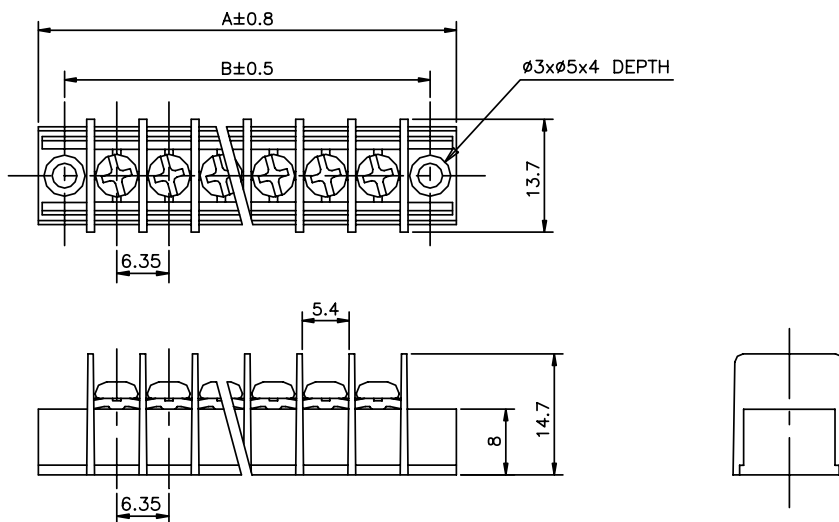


### PART NUMBERING SYSTEM

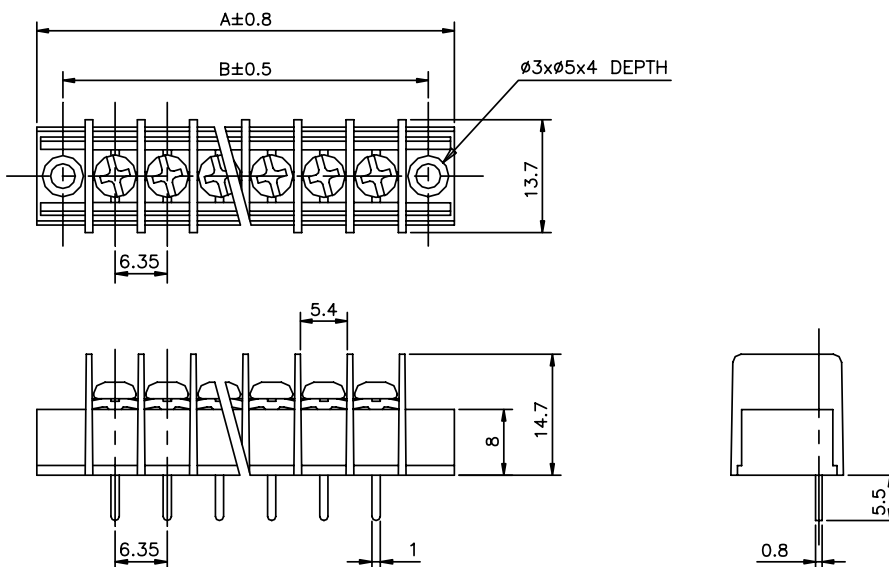


## ■ DRAWING (MOUNT TYPE)

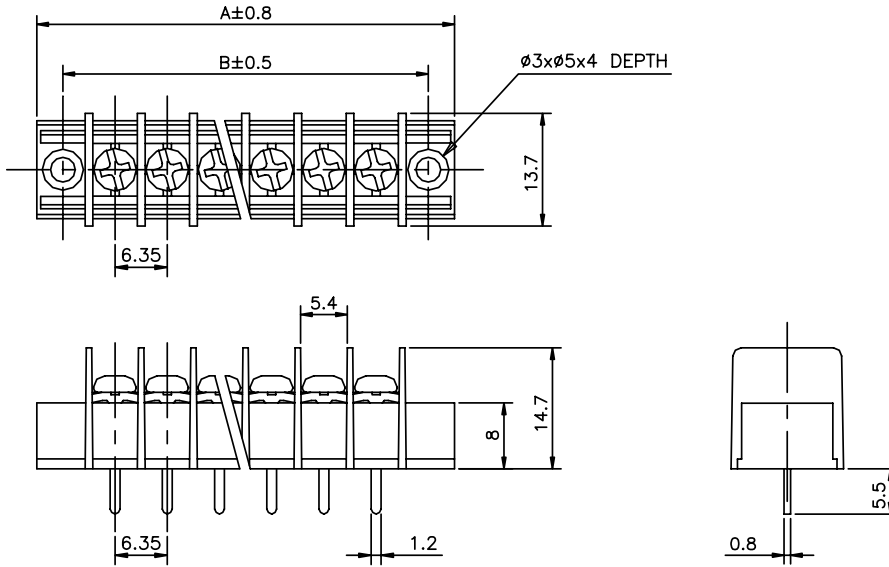
ETB55001\*\*



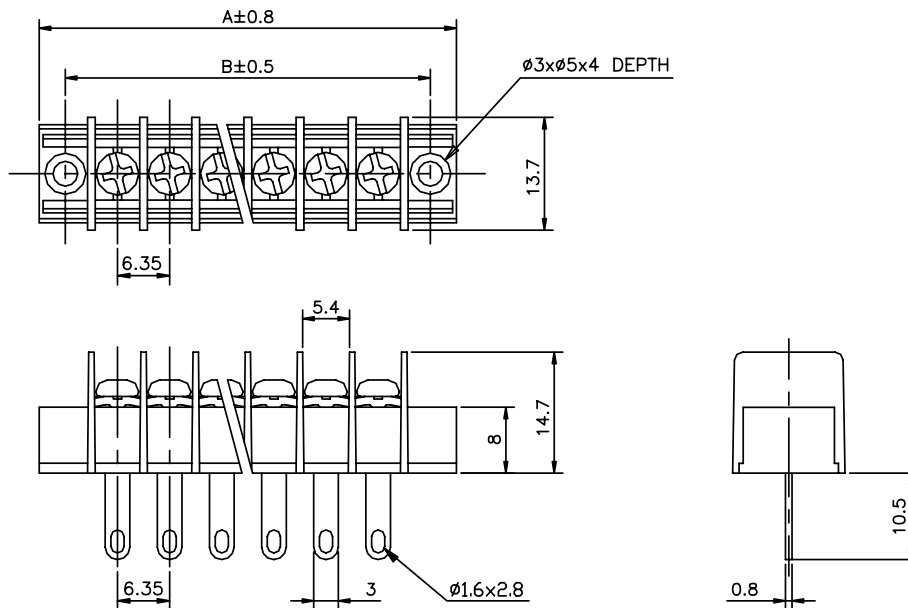
ETB55011\*\*



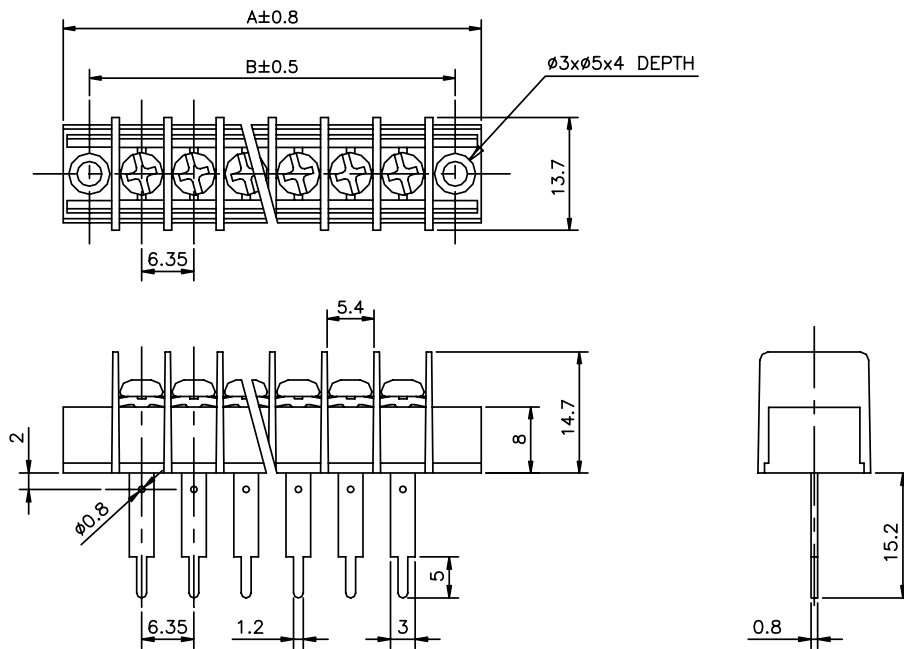
ETB55021\*\*



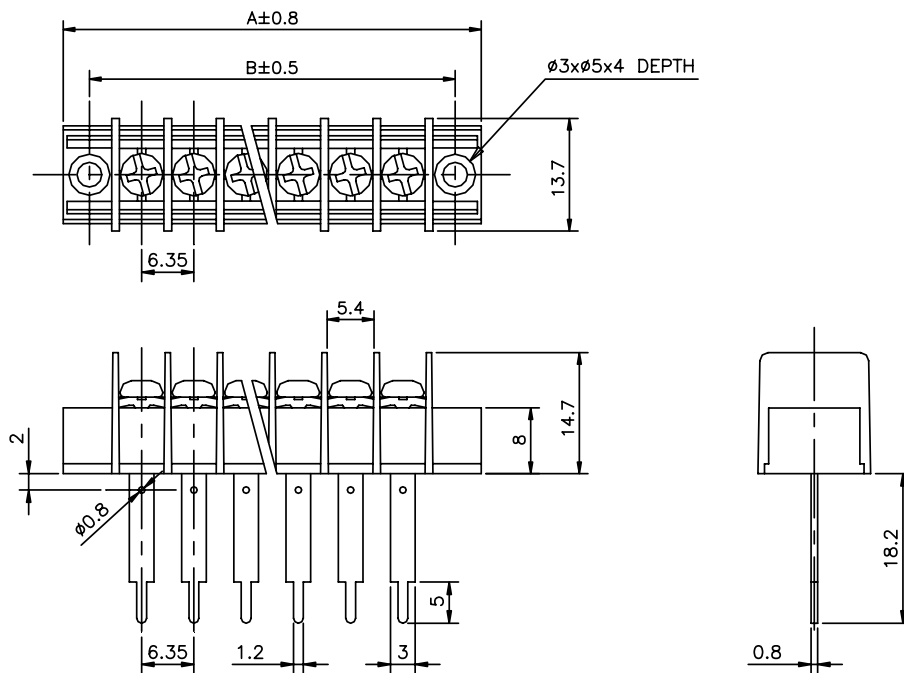
ETB55031\*\*



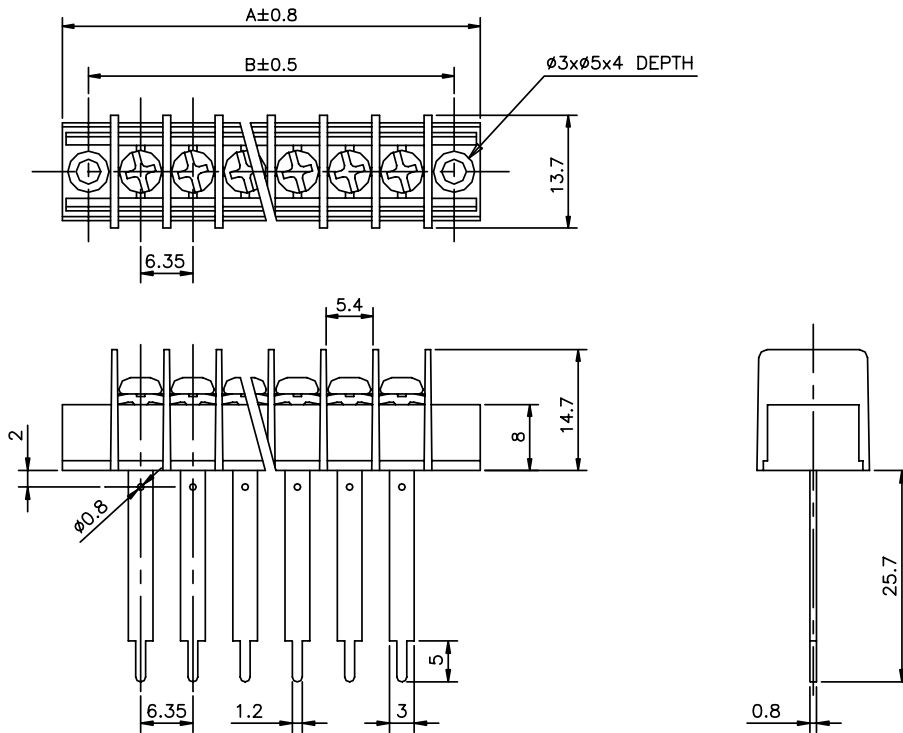
ETB55041\*\*



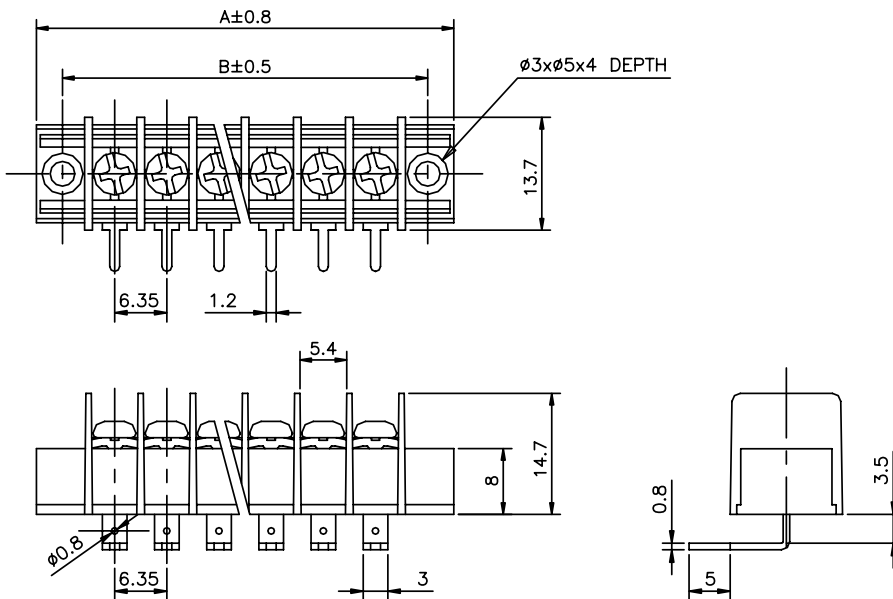
ETB55051\*\*



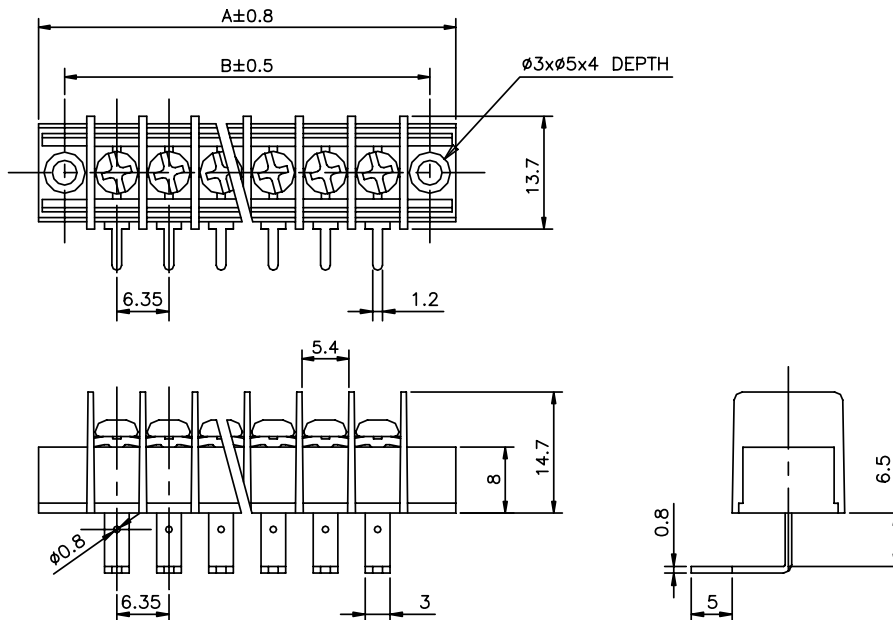
ETB55061\*\*



ETB55071\*\*



ETB55081\*\*



mm to inch

mm	0.8	1	1.2	1.6	2	2.8	3	3.5	4	5	5.4	5.5	6.35	6.5	8
inch	0.031	0.039	0.047	0.063	0.079	0.110	0.118	0.138	0.157	0.197	0.213	0.217	0.250	0.256	0.315
mm	10.5	13.7	14.7	15.2	18.2	25.7									
inch	0.413	0.539	0.579	0.598	0.717	1.012									

DIMENSIONS OF MOUNT TYPE

\*\*NUMBER OF POLE 02~30.

POLE DIM.	2	3	4	5	6	7	8	9	10	11	12
A $\pm 0.8$	25.4 (1.000)	31.75 (1.250)	38.10 (1.500)	44.45 (1.750)	50.80 (2.000)	57.15 (2.250)	63.50 (2.500)	69.85 (2.750)	76.20 (3.000)	82.55 (3.250)	88.90 (3.500)
B $\pm 0.5$	19.05 (0.750)	25.40 (1.000)	31.75 (1.250)	38.10 (1.500)	44.45 (1.750)	50.80 (2.000)	57.15 (2.250)	63.50 (2.500)	69.85 (2.750)	76.20 (3.000)	82.55 (3.250)
POLE DIM.	13	14	15	16	17	18	19	20	21	22	23
A $\pm 0.8$	95.25 (3.750)	101.60 (4.000)	107.95 (4.250)	114.30 (4.500)	120.65 (4.750)	127.0 (5.000)	133.35 (5.250)	139.70 (5.500)	146.05 (5.750)	152.40 (6.000)	158.75 (6.250)
B $\pm 0.5$	88.90 (3.500)	95.25 (3.750)	101.60 (4.000)	107.95 (4.250)	114.30 (4.500)	120.65 (4.750)	127.00 (5.000)	133.35 (5.250)	139.70 (5.500)	146.05 (5.750)	152.40 (6.000)
POLE DIM.	24	25	26	27	28	29	30				
A $\pm 0.8$	165.10 (6.500)	171.45 (6.750)	177.80 (7.000)	184.15 (7.250)	190.50 (7.500)	196.85 (7.750)	203.20 (8.000)				
B $\pm 0.5$	158.75 (6.250)	165.10 (6.500)	171.45 (6.750)	177.80 (7.000)	184.15 (7.250)	190.50 (7.500)	196.85 (7.750)				



# Terminal Block

## DIMENSIONS OF BARRIER TYPE

\*\*NUMBER OF POLE 02~32.

POLE DIM.	2	3	4	5	6	7	8	9	10	11	12
A±0.8	14.0 (0.551)	20.35 (0.801)	26.70 (1.051)	33.05 (1.301)	39.40 (1.551)	45.75 (1.801)	52.10 (2.051)	58.45 (2.301)	64.80 (2.551)	71.15 (2.801)	77.50 (3.051)
B±0.5	6.35 (0.250)	12.70 (0.500)	19.05 (0.750)	25.40 (1.000)	31.75 (1.250)	38.10 (1.500)	44.45 (1.750)	50.80 (2.000)	57.15 (2.250)	63.50 (2.500)	69.85 (2.750)
POLE DIM.	13	14	15	16	17	18	19	20	21	22	23
A±0.8	83.85 (3.301)	90.20 (3.551)	96.55 (3.801)	102.90 (4.051)	109.25 (4.301)	115.6 (4.551)	121.95 (4.801)	128.30 (5.051)	134.65 (5.301)	141.00 (5.551)	147.35 (5.801)
B±0.5	76.20 (3.000)	82.55 (3.250)	88.90 (3.500)	95.25 (3.750)	101.60 (4.000)	107.95 (4.250)	114.30 (4.500)	120.65 (4.750)	127.00 (5.000)	133.35 (5.250)	139.70 (5.500)
POLE DIM.	24	25	26	27	28	29	30	31	32		
A±0.8	153.70 (6.051)	160.05 (6.301)	166.40 (6.551)	172.75 (6.801)	179.10 (7.051)	185.45 (7.301)	191.80 (7.551)	198.15 (7.801)	204.50 (8.051)		
B±0.5	146.05 (5.750)	152.40 (6.000)	158.75 (6.250)	165.10 (6.500)	171.45 (6.750)	177.80 (7.000)	184.15 (7.250)	190.50 (7.500)	196.85 (7.750)		