



# ANNULS DISK PTC AD MODEL

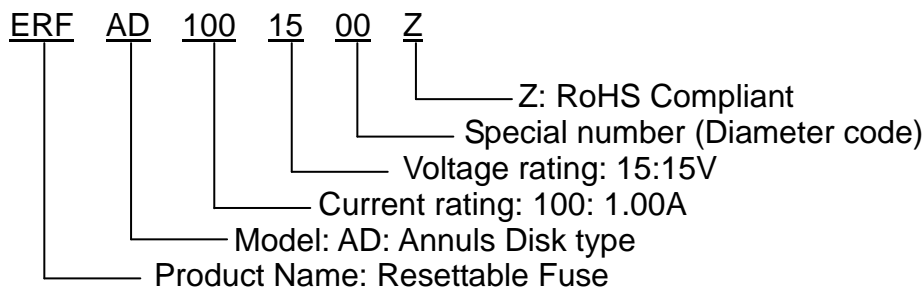
## ■ FEATURES

- Design available on request
- Operation current: on request
- Maximum voltage: on request
- Temperature range: -40°C to 85°C
- Bulk packaging on most models

## ■ APPLICATIONS

- Rechargeable battery packs protection
- Lithium cell and battery packs
- Motors, etc....

## ■ PART NUMBERING SYSTEM



## ■ Electrical characteristics(23°C)

Part Number	Hold Current	Trip Current	Max. Time to trip	Maximum Current	Rated Voltage	Typical Power	Resistance Tolerance		
							R <sub>MIN</sub>	R <sub>MAX</sub>	R <sub>1MAX</sub>
	I <sub>H</sub> , A	I <sub>T</sub> , A	at 5x I <sub>H</sub>	I <sub>MAX</sub> , A	V <sub>MAX</sub> , V <sub>dc</sub>	P <sub>d</sub> , W	Ω	Ω	Ω
AD1001500Z	1.00	2.5	10.0	40	15	2.5	0.085	0.160	0.220
AD3401600Z	3.40	8.7	8.0	40	16	3.5	0.008	0.019	0.036

I<sub>H</sub>=Hold current-maximum current at which the device will not trip at 23°C still air.

I<sub>T</sub>=Trip current-minimum current at which the device will always trip at 23°C still air.

V<sub>MAX</sub>=Maximum voltage device can withstand without damage at rated current.

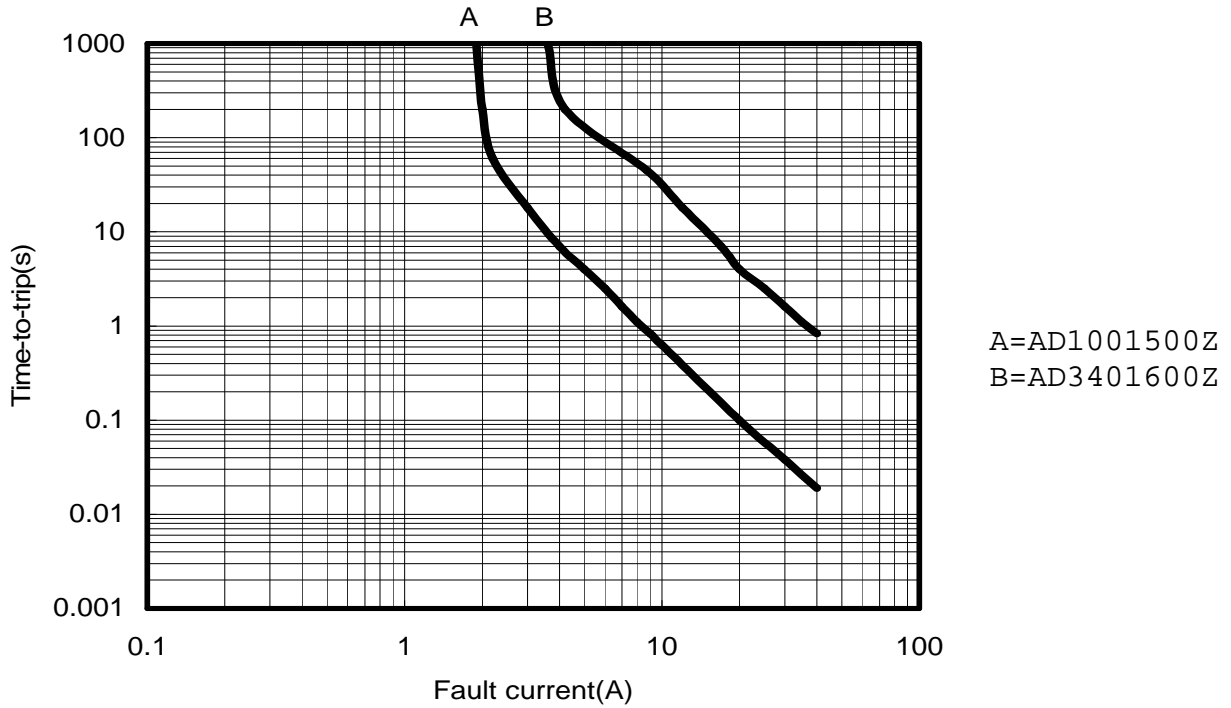
I<sub>MAX</sub>= Maximum fault current device can withstand without damage at rated voltage (V max).

P<sub>d</sub>=Typical power dissipated from device when in the tripped state in 23°C still air environment.

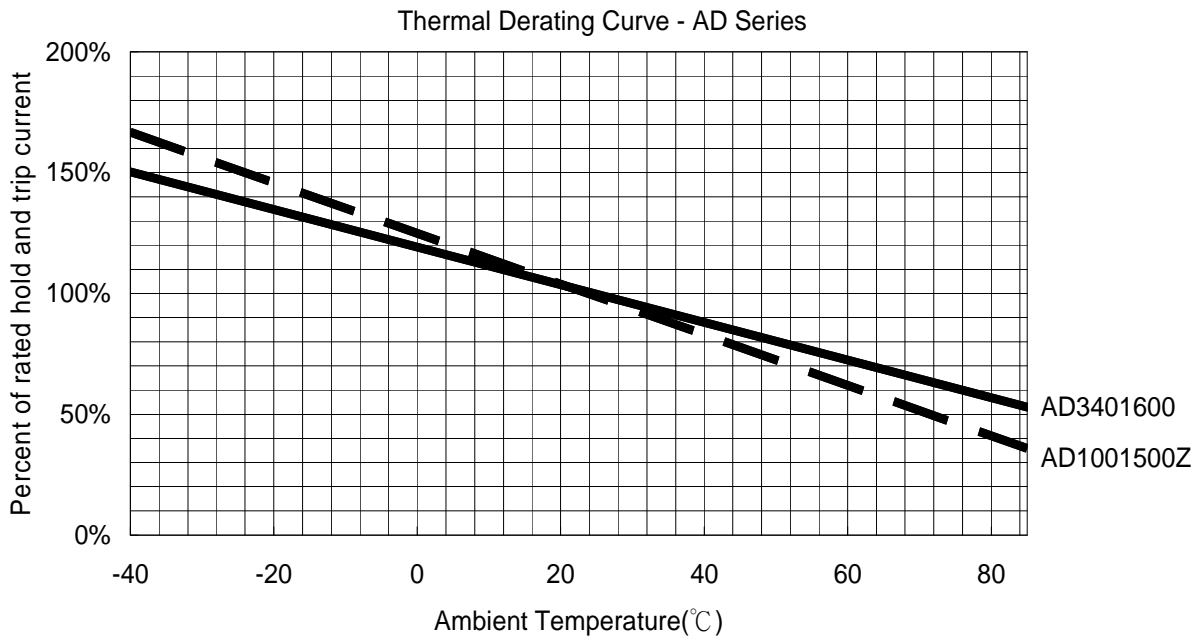
R<sub>MIN</sub>=Minimum device resistance at 23°C .

R<sub>1MAX</sub>=Maximum device resistance at 23°C 1 hour after tripping .

■ Typical time-to-trip-at 23°C



■ Thermal Derating Curve



■ **AD Product Dimensions (UNIT: mm)**

Part Number	A		B		C		Figure
	Min	Max	Min	Max	Min	Max	
AD1001500Z	15.95	16.05	10.95	11.05	0.28	0.38	1
AD3401600Z	20.90	21.10	6.40	6.60	0.51	0.61	2

Figure 1

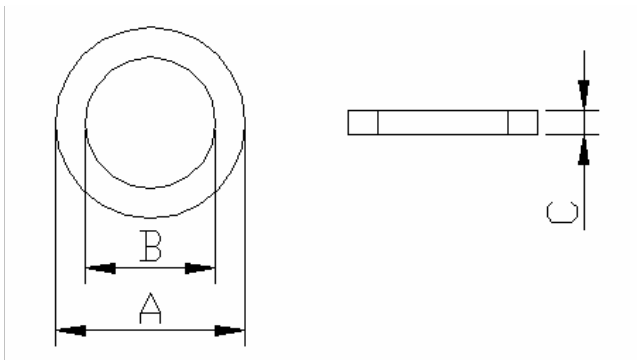


Figure 2

