



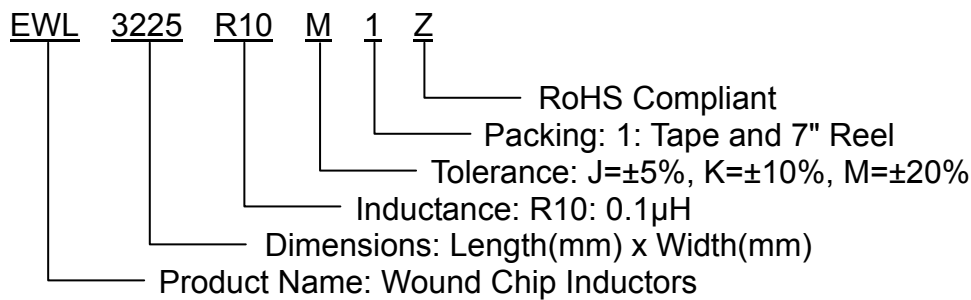
**ECE** —  
The Name You Can Trust!

## WOUND CHIP INDUCTORS EWL SERIES

### FEATURES

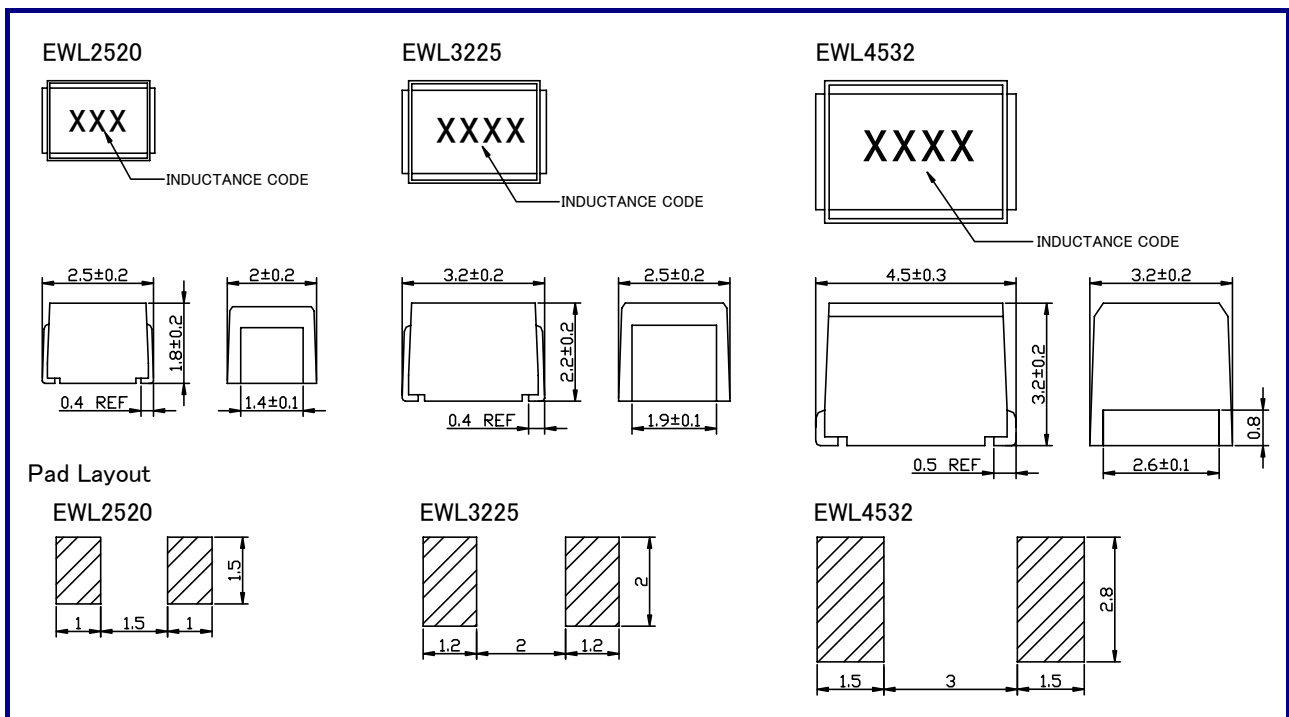
- Our EWL series can endure higher current and also allow inductance value up to 1000 $\mu$ H.
- Highly reliable in environments of sudden temperature change and humidity.
- These revolutionary, compact size furthermore high reliable wound chip inductors for automatic mounting have been developed in response to the trend toward high density PCB.
- Highly resistant to mechanical shocks and pressure.
- Very strong solderability by flow soldering, soldering iron or wave soldering.

### PART NUMBERING SYSTEM



### DIMENSIONS

UNIT:mm





**ECE** —  
**The Name You Can Trust!**

## ■ ELECTRICAL CHARACTERISTICS

### ◆ TYPE: EWL 2520

| Part No.    | Inductance (μH) | Tolerance (±%) | Q (Min.) | L, Q Test Frequency (MHz) | SRF (MHz) Min. | DC Resistance (Ω)Max. | Rating Current (mA)Max. |
|-------------|-----------------|----------------|----------|---------------------------|----------------|-----------------------|-------------------------|
| EWL2520-10N | 0.010           | K,M            | 15       | 100                       | 2150           | 0.26                  | 530                     |
| EWL2520-12N | 0.012           | K,M            | 15       | 100                       | 2050           | 0.27                  | 500                     |
| EWL2520-15N | 0.015           | K,M            | 15       | 100                       | 2000           | 0.29                  | 480                     |
| EWL2520-18N | 0.018           | K,M            | 15       | 100                       | 1850           | 0.31                  | 450                     |
| EWL2520-22N | 0.022           | K,M            | 15       | 100                       | 1650           | 0.37                  | 420                     |
| EWL2520-27N | 0.027           | K,M            | 15       | 100                       | 1550           | 0.40                  | 410                     |
| EWL2520-33N | 0.033           | K,M            | 20       | 100                       | 1450           | 0.42                  | 400                     |
| EWL2520-39N | 0.039           | K,M            | 20       | 100                       | 1350           | 0.45                  | 380                     |
| EWL2520-47N | 0.047           | K,M            | 20       | 100                       | 1200           | 0.50                  | 360                     |
| EWL2520-56N | 0.056           | K,M            | 20       | 100                       | 1100           | 0.60                  | 340                     |
| EWL2520-68N | 0.068           | K,M            | 20       | 100                       | 1050           | 0.65                  | 320                     |
| EWL2520-82N | 0.082           | K,M            | 20       | 100                       | 900            | 0.75                  | 300                     |
| EWL2520-R10 | 0.10            | K,M            | 20       | 100                       | 800            | 0.80                  | 280                     |
| EWL2520-R12 | 0.12            | K,M            | 30       | 25.2                      | 500            | 0.22                  | 550                     |
| EWL2520-R15 | 0.15            | K,M            | 30       | 25.2                      | 450            | 0.25                  | 500                     |
| EWL2520-R18 | 0.18            | K,M            | 30       | 25.2                      | 400            | 0.29                  | 460                     |
| EWL2520-R22 | 0.22            | K,M            | 30       | 25.2                      | 300            | 0.30                  | 430                     |
| EWL2520-R27 | 0.27            | K,M            | 30       | 25.2                      | 280            | 0.33                  | 420                     |
| EWL2520-R33 | 0.33            | K,M            | 30       | 25.2                      | 260            | 0.39                  | 400                     |
| EWL2520-R39 | 0.39            | K,M            | 30       | 25.2                      | 240            | 0.40                  | 375                     |
| EWL2520-R47 | 0.47            | K,M            | 30       | 25.2                      | 210            | 0.44                  | 350                     |
| EWL2520-R56 | 0.56            | K,M            | 30       | 25.2                      | 190            | 0.49                  | 325                     |
| EWL2520-R68 | 0.68            | K,M            | 30       | 25.2                      | 170            | 0.50                  | 300                     |
| EWL2520-R82 | 0.82            | K,M            | 30       | 25.2                      | 150            | 0.61                  | 260                     |
| EWL2520-1R0 | 1.0             | K,M            | 30       | 7.96                      | 150            | 0.75                  | 245                     |
| EWL2520-1R2 | 1.2             | K,M            | 30       | 7.96                      | 130            | 0.87                  | 230                     |
| EWL2520-1R5 | 1.5             | K,M            | 30       | 7.96                      | 120            | 1.00                  | 220                     |
| EWL2520-1R8 | 1.8             | K,M            | 30       | 7.96                      | 110            | 1.10                  | 210                     |
| EWL2520-2R2 | 2.2             | K,M            | 30       | 7.96                      | 105            | 1.30                  | 200                     |
| EWL2520-2R7 | 2.7             | K,M            | 30       | 7.96                      | 70             | 1.40                  | 195                     |
| EWL2520-3R3 | 3.3             | K,M            | 30       | 7.96                      | 55             | 1.60                  | 185                     |
| EWL2520-3R9 | 3.9             | J,K            | 30       | 7.96                      | 48             | 1.70                  | 180                     |
| EWL2520-4R7 | 4.7             | J,K            | 30       | 7.96                      | 43             | 1.90                  | 175                     |
| EWL2520-5R6 | 5.6             | J,K            | 30       | 7.96                      | 42             | 2.20                  | 170                     |



**ECE —**  
**The Name You Can Trust!**

| Part No.    | Inductance<br>( $\mu$ H) | Tolerance<br>( $\pm\%$ ) | Q<br>(Min.) | L, Q Test<br>Frequency<br>(MHz) | SRF<br>(MHz)<br>Min. | DC<br>Resistance<br>( $\Omega$ )Max. | Rating<br>Current<br>(mA)Max. |
|-------------|--------------------------|--------------------------|-------------|---------------------------------|----------------------|--------------------------------------|-------------------------------|
| EWL2520-6R8 | 6.8                      | J,K                      | 30          | 7.96                            | 39                   | 2.40                                 | 165                           |
| EWL2520-8R2 | 8.2                      | J,K                      | 30          | 7.96                            | 36                   | 2.60                                 | 160                           |
| EWL2520-100 | 10                       | J,K                      | 25          | 2.52                            | 33                   | 2.20                                 | 155                           |
| EWL2520-120 | 12                       | J,K                      | 25          | 2.52                            | 30                   | 2.50                                 | 150                           |
| EWL2520-150 | 15                       | J,K                      | 25          | 2.52                            | 26                   | 2.80                                 | 140                           |
| EWL2520-180 | 18                       | J,K                      | 25          | 2.52                            | 22                   | 3.20                                 | 130                           |
| EWL2520-220 | 22                       | J,K                      | 25          | 2.52                            | 21                   | 3.60                                 | 125                           |
| EWL2520-270 | 27                       | J,K                      | 25          | 2.52                            | 19                   | 4.30                                 | 115                           |
| EWL2520-330 | 33                       | J,K                      | 25          | 2.52                            | 17                   | 4.70                                 | 110                           |
| EWL2520-390 | 39                       | J,K                      | 25          | 2.52                            | 15                   | 8.10                                 | 85                            |
| EWL2520-470 | 47                       | J,K                      | 25          | 2.52                            | 14                   | 8.80                                 | 80                            |
| EWL2520-560 | 56                       | J,K                      | 25          | 2.52                            | 13                   | 10.0                                 | 75                            |
| EWL2520-680 | 68                       | J,K                      | 25          | 2.52                            | 12                   | 11.5                                 | 70                            |
| EWL2520-820 | 82                       | J,K                      | 25          | 2.52                            | 11                   | 12.5                                 | 65                            |
| EWL2520-101 | 100                      | J,K                      | 25          | 0.796                           | 10                   | 13.0                                 | 60                            |



**ECE** —  
**The Name You Can Trust!**

◆ **TYPE: EWL 3225**

| Part No.    | Inductance (μH) | Tolerance (±%) | Q (Min.) | L, Q Test Frequency (MHz) | SRF (MHz) Min. | DC Resistance (Ω)Max. | Rating Current (mA)Max. |
|-------------|-----------------|----------------|----------|---------------------------|----------------|-----------------------|-------------------------|
| EWL3225-R10 | 0.10            | K,M            | 28       | 25.2                      | 450            | 0.25                  | 450                     |
| EWL3225-R22 | 0.22            | K,M            | 30       | 25.2                      | 350            | 0.32                  | 450                     |
| EWL3225-R33 | 0.33            | K,M            | 30       | 25.2                      | 300            | 0.40                  | 450                     |
| EWL3225-R39 | 0.39            | K,M            | 30       | 25.2                      | 250            | 0.45                  | 450                     |
| EWL3225-R68 | 0.68            | K,M            | 30       | 25.2                      | 160            | 0.60                  | 450                     |
| EWL3225-1R0 | 1.0             | K,M            | 30       | 7.96                      | 120            | 0.70                  | 400                     |
| EWL3225-1R2 | 1.2             | K,M            | 30       | 7.96                      | 100            | 0.75                  | 390                     |
| EWL3225-1R5 | 1.5             | K,M            | 30       | 7.96                      | 85             | 0.85                  | 370                     |
| EWL3225-1R8 | 1.8             | K,M            | 30       | 7.96                      | 80             | 0.90                  | 350                     |
| EWL3225-2R2 | 2.2             | K,M            | 30       | 7.96                      | 75             | 1.00                  | 320                     |
| EWL3225-2R7 | 2.7             | K,M            | 30       | 7.96                      | 70             | 1.10                  | 290                     |
| EWL3225-3R3 | 3.3             | K,M            | 30       | 7.96                      | 60             | 1.20                  | 260                     |
| EWL3225-3R9 | 3.9             | K,M            | 30       | 7.96                      | 55             | 1.30                  | 250                     |
| EWL3225-4R7 | 4.7             | K,M            | 30       | 7.96                      | 50             | 1.50                  | 220                     |
| EWL3225-5R6 | 5.6             | K,M            | 30       | 7.96                      | 47             | 1.60                  | 200                     |
| EWL3225-6R8 | 6.8             | K,M            | 30       | 7.96                      | 43             | 1.80                  | 180                     |
| EWL3225-8R2 | 8.2             | K,M            | 30       | 7.96                      | 40             | 2.00                  | 170                     |
| EWL3225-100 | 10              | J,K            | 30       | 2.52                      | 36             | 2.10                  | 150                     |
| EWL3225-120 | 12              | J,K            | 30       | 2.52                      | 33             | 2.50                  | 140                     |
| EWL3225-150 | 15              | J,K            | 30       | 2.52                      | 30             | 2.80                  | 130                     |
| EWL3225-180 | 18              | J,K            | 30       | 2.52                      | 27             | 3.30                  | 120                     |
| EWL3225-220 | 22              | J,K            | 30       | 2.52                      | 25             | 3.70                  | 110                     |
| EWL3225-270 | 27              | J,K            | 30       | 2.52                      | 20             | 5.00                  | 80                      |
| EWL3225-330 | 33              | J,K            | 30       | 2.52                      | 17             | 5.60                  | 70                      |
| EWL3225-390 | 39              | J,K            | 30       | 2.52                      | 16             | 6.40                  | 65                      |
| EWL3225-470 | 47              | J,K            | 30       | 2.52                      | 15             | 7.00                  | 60                      |
| EWL3225-560 | 56              | J,K            | 30       | 2.52                      | 13             | 8.00                  | 55                      |
| EWL3225-680 | 68              | J,K            | 30       | 2.52                      | 12             | 9.00                  | 50                      |
| EWL3225-820 | 82              | J,K            | 30       | 2.52                      | 11             | 10.0                  | 45                      |
| EWL3225-101 | 100             | J,K            | 20       | 0.796                     | 10             | 10.0                  | 40                      |
| EWL3225-121 | 120             | J,K            | 20       | 0.796                     | 10             | 11.0                  | 70                      |
| EWL3225-151 | 150             | J,K            | 20       | 0.796                     | 8              | 15.0                  | 65                      |
| EWL3225-181 | 180             | J,K            | 20       | 0.796                     | 7              | 17.0                  | 60                      |
| EWL3225-221 | 220             | J,K            | 20       | 0.796                     | 7              | 21.0                  | 50                      |



**ECE** —  
**The Name You Can Trust!**

◆ **TYPE: EWL 4532**

| Part No.    | Inductance (μH) | Tolerance (±%) | Q (Min.) | L, Q Test Frequency (MHz) | SRF (MHz) Min. | DC Resistance (Ω)Max. | Rating Current (mA)Max. |
|-------------|-----------------|----------------|----------|---------------------------|----------------|-----------------------|-------------------------|
| EWL4532-R10 | 0.10            | K,M            | 28       | 25.2                      | 700            | 0.44                  | 450                     |
| EWL4532-R12 | 0.12            | K,M            | 30       | 25.2                      | 500            | 0.22                  | 450                     |
| EWL4532-R15 | 0.15            | K,M            | 30       | 25.2                      | 450            | 0.25                  | 450                     |
| EWL4532-R18 | 0.18            | K,M            | 30       | 25.2                      | 400            | 0.28                  | 450                     |
| EWL4532-R22 | 0.22            | K,M            | 30       | 25.2                      | 350            | 0.32                  | 450                     |
| EWL4532-R27 | 0.27            | K,M            | 30       | 25.2                      | 320            | 0.36                  | 450                     |
| EWL4532-R33 | 0.33            | K,M            | 30       | 25.2                      | 300            | 0.40                  | 450                     |
| EWL4532-R39 | 0.39            | K,M            | 30       | 25.2                      | 350            | 0.45                  | 450                     |
| EWL4532-R47 | 0.47            | K,M            | 30       | 25.2                      | 220            | 0.50                  | 450                     |
| EWL4532-R56 | 0.56            | K,M            | 30       | 25.2                      | 180            | 0.55                  | 450                     |
| EWL4532-R68 | 0.68            | K,M            | 30       | 25.2                      | 160            | 0.60                  | 450                     |
| EWL4532-R82 | 0.82            | K,M            | 30       | 25.2                      | 140            | 0.67                  | 450                     |
| EWL4532-1R0 | 1.0             | K,M            | 50       | 7.96                      | 100            | 0.50                  | 450                     |
| EWL4532-1R2 | 1.2             | K,M            | 50       | 7.96                      | 80             | 0.55                  | 430                     |
| EWL4532-1R5 | 1.5             | K,M            | 50       | 7.96                      | 70             | 0.60                  | 410                     |
| EWL4532-1R8 | 1.8             | K,M            | 50       | 7.96                      | 60             | 0.65                  | 390                     |
| EWL4532-2R2 | 2.2             | K,M            | 50       | 7.96                      | 55             | 0.70                  | 380                     |
| EWL4532-2R7 | 2.7             | K,M            | 50       | 7.96                      | 50             | 0.75                  | 370                     |
| EWL4532-3R3 | 3.3             | K,M            | 50       | 7.96                      | 45             | 0.80                  | 355                     |
| EWL4532-3R9 | 3.9             | K,M            | 50       | 7.96                      | 40             | 0.90                  | 330                     |
| EWL4532-4R7 | 4.7             | K,M            | 50       | 7.96                      | 35             | 1.00                  | 315                     |
| EWL4532-5R6 | 5.6             | J,K            | 50       | 7.96                      | 33             | 1.10                  | 300                     |
| EWL4532-6R8 | 6.8             | J,K            | 50       | 7.96                      | 27             | 1.20                  | 285                     |
| EWL4532-8R2 | 8.2             | J,K            | 50       | 7.96                      | 25             | 1.40                  | 270                     |
| EWL4532-100 | 10              | J,K            | 50       | 2.52                      | 20             | 1.60                  | 250                     |
| EWL4532-120 | 12              | J,K            | 50       | 2.52                      | 18             | 2.00                  | 225                     |
| EWL4532-150 | 15              | J,K            | 50       | 2.52                      | 17             | 2.50                  | 200                     |
| EWL4532-180 | 18              | J,K            | 50       | 2.52                      | 15             | 2.80                  | 190                     |
| EWL4532-220 | 22              | J,K            | 50       | 2.52                      | 13             | 3.20                  | 180                     |
| EWL4532-270 | 27              | J,K            | 50       | 2.52                      | 12             | 3.60                  | 170                     |
| EWL4532-330 | 33              | J,K            | 50       | 2.52                      | 11             | 4.00                  | 160                     |
| EWL4532-390 | 39              | J,K            | 50       | 2.52                      | 10             | 4.50                  | 150                     |
| EWL4532-470 | 47              | J,K            | 50       | 2.52                      | 10             | 5.00                  | 140                     |
| EWL4532-560 | 56              | J,K            | 50       | 2.52                      | 9              | 5.50                  | 135                     |
| EWL4532-680 | 68              | J,K            | 50       | 2.52                      | 9              | 6.00                  | 130                     |
| EWL4532-820 | 82              | J,K            | 50       | 2.52                      | 8              | 7.00                  | 120                     |



**ECE —**  
**The Name You Can Trust!**

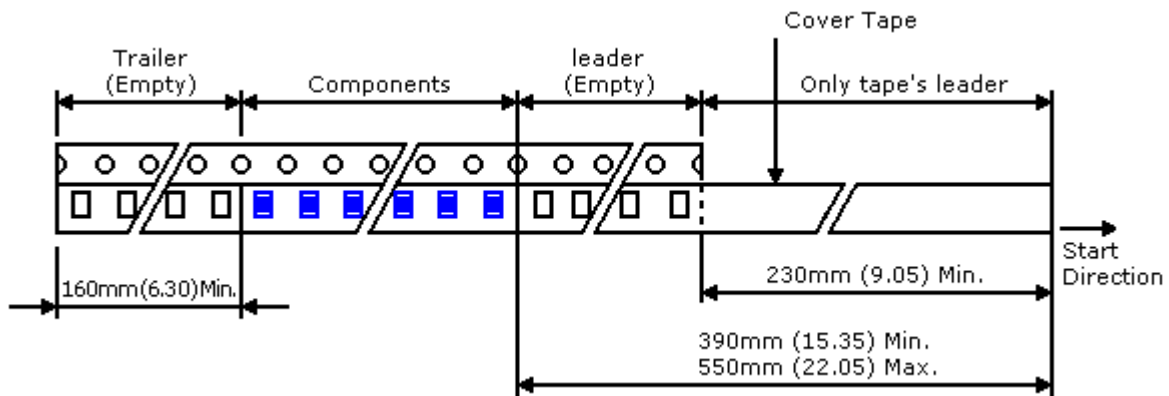
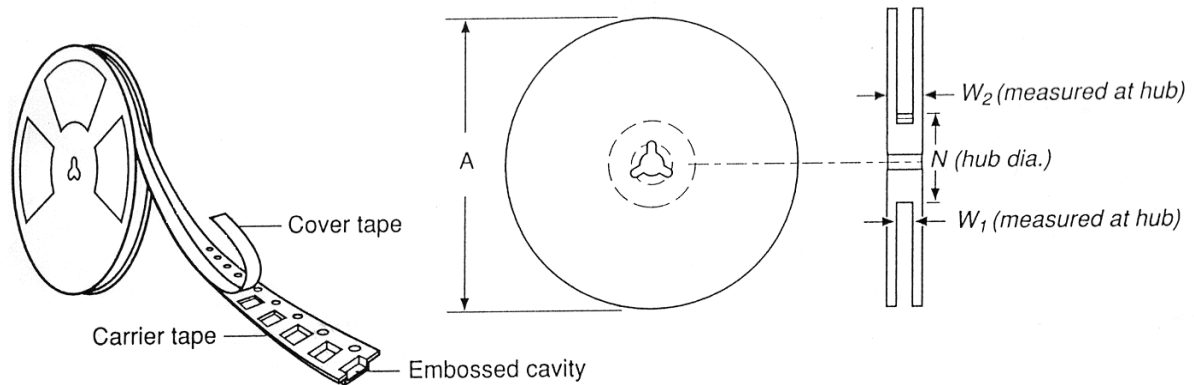
| Part No.    | Inductance<br>( $\mu$ H) | Tolerance<br>( $\pm$ %) | Q<br>(Min.) | L, Q Test<br>Frequency<br>(MHz) | SRF<br>(MHz)<br>Min. | DC<br>Resistance<br>( $\Omega$ )Max. | Rating<br>Current<br>(mA)Max. |
|-------------|--------------------------|-------------------------|-------------|---------------------------------|----------------------|--------------------------------------|-------------------------------|
| EWL4532-101 | 100                      | J,K                     | 40          | 0.796                           | 7                    | 8.00                                 | 110                           |
| EWL4532-121 | 120                      | J,K                     | 40          | 0.796                           | 6                    | 8.00                                 | 110                           |
| EWL4532-151 | 150                      | J,K                     | 40          | 0.796                           | 5                    | 9.00                                 | 105                           |
| EWL4532-181 | 180                      | J,K                     | 40          | 0.796                           | 5                    | 9.50                                 | 102                           |
| EWL4532-221 | 220                      | J,K                     | 40          | 0.796                           | 4                    | 12.0                                 | 100                           |
| EWL4532-271 | 270                      | J,K                     | 30          | 0.796                           | 3                    | 18.0                                 | 92                            |
| EWL4532-331 | 330                      | J,K                     | 30          | 0.796                           | 3                    | 20.0                                 | 85                            |
| EWL4532-391 | 390                      | J,K                     | 30          | 0.796                           | 3                    | 23.0                                 | 80                            |
| EWL4532-471 | 470                      | J,K                     | 30          | 0.796                           | 3                    | 26.0                                 | 62                            |
| EWL4532-561 | 560                      | J,K                     | 30          | 0.796                           | 2                    | 30.0                                 | 50                            |
| EWL4532-681 | 680                      | J,K                     | 30          | 0.796                           | 2                    | 40.0                                 | 50                            |
| EWL4532-821 | 820                      | J,K                     | 30          | 0.796                           | 2                    | 45.0                                 | 30                            |
| EWL4532-102 | 1000                     | J,K                     | 30          | 0.796                           | 2                    | 50.0                                 | 30                            |



**ECE** —  
The Name You Can Trust!

## TAPE & REEL PACKAGING

### ■ Packaging - Cover Tape



| Reel Dimensions |             |             |
|-----------------|-------------|-------------|
| Reel type       | W=8mm       | W=12mm      |
| A               | Ø 178mm     | Ø178mm      |
| N               | Ø 50mm min. | Ø 50mm min. |
| $W_1$           | 8.4+1.5mm   | 12.4+2.0mm  |
| $W_2$           | 14.4mm max. | 18.4mm max. |

### ■ Packaging Quantity

| Type   | Reel/Tape |
|--------|-----------|
| 100505 | 10000     |
| 160808 | 4000      |
| 201209 | 4000      |
| 201212 | 3000      |
| 321611 | 3000      |
| 321616 | 2000      |

| Type    | Reel/Tape |
|---------|-----------|
| EWL2520 | 2000      |
| EWL3225 | 2000      |
| EWL4532 | 500       |
| EWH0603 | 4000      |
| EWH0805 | 2000      |
| EWH1008 | 2000      |