

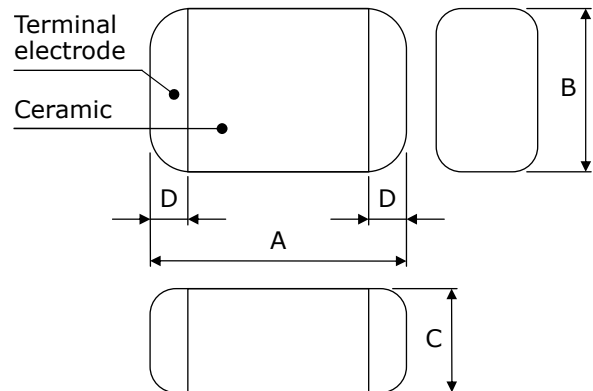
## HIGH FREQUENCY MULTILAYER CHIP INDUCTORS

### EFH SERIES

#### ■ FEATURES

- The EFH series is designed for high frequency application up to GHz band circuit due to low inductance.
- High SRF exhibits high Q value at high frequency.
- Monolithic inorganic material construction for high reliability.
- Excellent for high frequency RF applications such as cellular phones, pagers, PDAs, computer communications, etc..

#### ■ DIMENSIONS

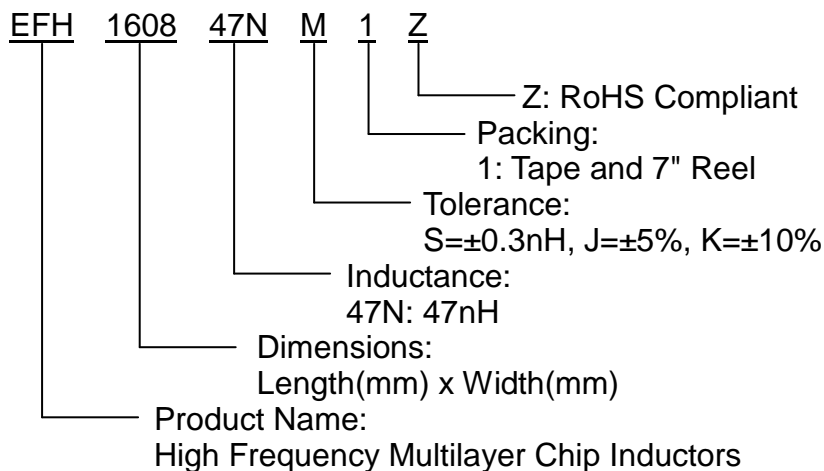


UNIT: mm

Type	A	B	C	D
EFH1005(0402)	1.0±0.10	0.50±0.10	0.5±0.10	0.1~0.3
EFH1608(0603)	1.6±0.15	0.80±0.15	0.8±0.15	0.2~0.6
EFH2012(0805)	2.0±0.20	1.25±0.20	※	0.2~0.8

※ See attach "product's thickness" dimensions.

#### ■ PART NUMBERING SYSTEM





**ECE** —  
**The Name You Can Trust!**

## ■ ELECTRICAL CHARACTERISTICS

### ◆ TYPE: EFH 1005

Part No.	Inductance (nH)	Tolerance (±%)	Q (Min.)	L, Q Test Frequency (MHz)	SRF (GHz) Min.	DC Resistance (Ω)Max.	Rating Current (mA)Max.
EFH1005-1N0	1.0	S	8	100	10	0.08	300
EFH1005-1N2	1.2	S	8	100	10	0.09	300
EFH1005-1N5	1.5	S	8	100	6	0.10	300
EFH1005-1N8	1.8	S	8	100	6	0.12	300
EFH1005-2N0	2.0	S	8	100	6	0.12	300
EFH1005-2N2	2.2	S	8	100	6	0.13	300
EFH1005-2N4	2.4	S	8	100	6	0.13	300
EFH1005-2N7	2.7	S	8	100	6	0.13	300
EFH1005-3N0	3.0	S	8	100	6	0.16	300
EFH1005-3N9	3.9	S,K	8	100	4	0.21	300
EFH1005-4N7	4.7	S,K	8	100	4	0.21	300
EFH1005-5N6	5.6	S,K	8	100	4	0.23	300
EFH1005-6N8	6.8	J,K	8	100	3.9	0.25	300
EFH1005-8N2	8.2	J,K	8	100	3.6	0.28	300
EFH1005-10N	10	J,K	8	100	3.2	0.31	300
EFH1005-12N	12	J,K	8	100	2.7	0.40	300
EFH1005-15N	15	J,K	8	100	2.3	0.46	300
EFH1005-18N	18	J,K	8	100	2.1	0.55	300
EFH1005-22N	22	J,K	8	100	1.9	0.60	300
EFH1005-27N	27	J,K	8	100	1.6	0.70	300
EFH1005-33N	33	J,K	8	100	1.3	0.80	200
EFH1005-39N	39	J,K	8	100	1.2	0.90	200
EFH1005-47N	47	J,K	8	100	1.0	1.00	200
EFH1005-56N	56	J,K	8	100	0.75	1.00	200
EFH1005-68N	68	J,K	8	100	0.75	1.20	180
EFH1005-82N	82	J,K	8	100	0.6	1.30	150
EFH1005-R10	100	J,K	8	100	0.6	1.50	150
EFH1005-R12	120	J,K	8	100	0.6	1.60	150



**ECE** —  
**The Name You Can Trust!**

◆ **TYPE: EFH 1608**

Part No.	Inductance (nH)	Tolerance (±%)	Q (Min.)	L, Q Test Frequency (MHz)	SRF (GHz) Min.	DC Resistance (Ω)Max.	Rating Current (mA)Max.
EFH1608-1N0	1.0	S	8	100	10	0.05	300
EFH1608-1N2	1.2	S	8	100	10	0.05	300
EFH1608-1N5	1.5	S	8	100	6	0.10	300
EFH1608-1N8	1.8	S	8	100	6	0.10	300
EFH1608-2N2	2.2	S	8	100	6	0.10	300
EFH1608-2N7	2.7	S	10	100	6	0.10	300
EFH1608-3N3	3.3	S	10	100	6	0.12	300
EFH1608-3N9	3.9	S,K	10	100	6	0.14	300
EFH1608-4N7	4.7	S,K	10	100	4	0.16	300
EFH1608-5N6	5.6	S,K	10	100	4	0.18	300
EFH1608-6N8	6.8	J,K	10	100	4	0.22	300
EFH1608-8N2	8.2	J,K	10	100	3.5	0.24	300
EFH1608-10N	10	J,K	12	100	3.4	0.26	300
EFH1608-12N	12	J,K	12	100	2.6	0.28	300
EFH1608-15N	15	J,K	12	100	2.3	0.32	300
EFH1608-18N	18	J,K	12	100	2.0	0.35	300
EFH1608-22N	22	J,K	12	100	1.6	0.40	300
EFH1608-27N	27	J,K	12	100	1.4	0.45	300
EFH1608-33N	33	J,K	12	100	1.2	0.55	300
EFH1608-39N	39	J,K	12	100	1.1	0.60	300
EFH1608-47N	47	J,K	12	100	0.9	0.70	300
EFH1608-56N	56	J,K	12	100	0.9	0.75	300
EFH1608-68N	68	J,K	12	100	0.7	0.85	300
EFH1608-82N	82	J,K	12	100	0.6	0.95	300
EFH1608-R10	100	J,K	12	100	0.6	1.00	300
EFH1608-R12	120	J,K	8	50	0.5	1.20	300
EFH1608-R15	150	J,K	8	50	0.5	1.20	300
EFH1608-R18	180	J,K	8	50	0.4	1.30	300
EFH1608-R22	220	J,K	8	50	0.4	1.50	300



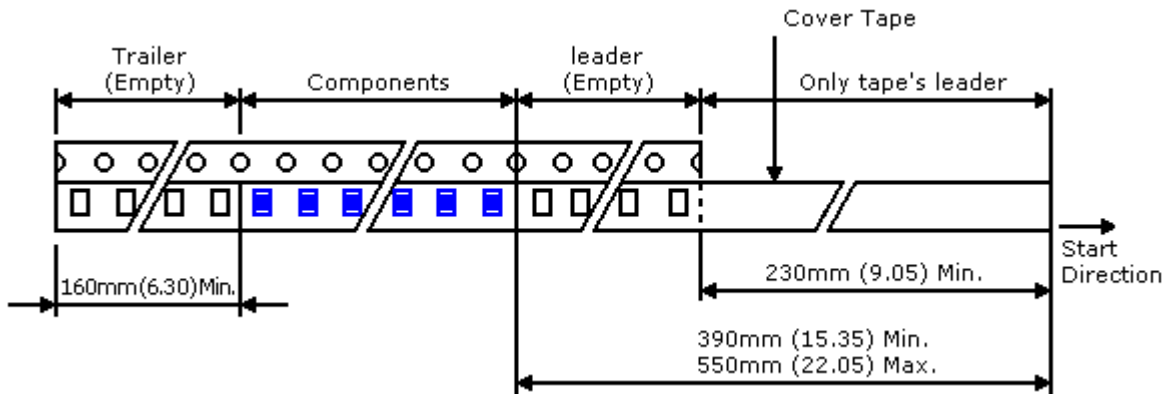
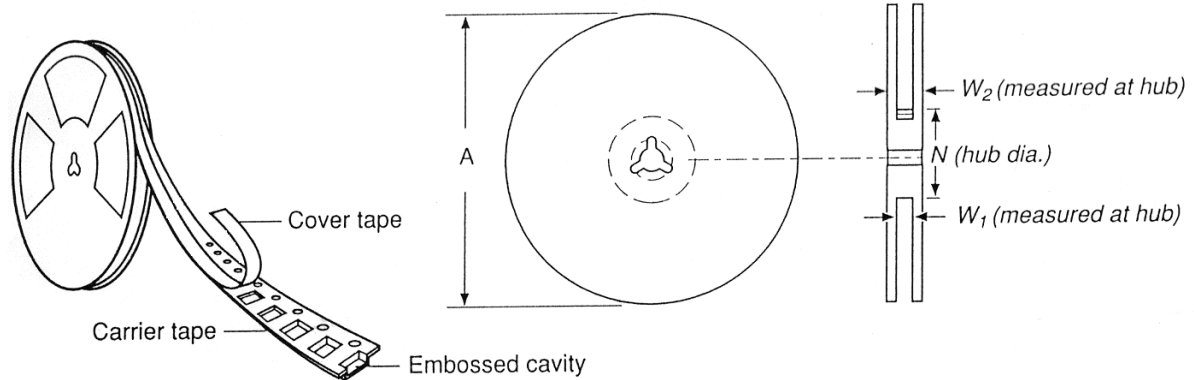
**ECE** —  
**The Name You Can Trust!**

◆ **TYPE: EFH 2012**

Part No.	Inductance (nH)	Tolerance (±%)	Q (Min.)	L, Q Test Frequency (MHz)	SRF (GHz) Min.	DC Resistance (Ω)Max.	Rating Current (mA)Max.	Product Thickness (mm)
EFH2012-1N0	1.0	S	10	100	10	0.10	300	0.85±0.2
EFH2012-1N2	1.2	S	10	100	10	0.10	300	0.85±0.2
EFH2012-1N5	1.5	S	10	100	4	0.10	300	0.85±0.2
EFH2012-1N8	1.8	S	10	100	4	0.10	300	0.85±0.2
EFH2012-2N2	2.2	S	10	100	4	0.10	300	0.85±0.2
EFH2012-2N7	2.7	S	12	100	4	0.10	300	0.85±0.2
EFH2012-3N3	3.3	S	12	100	4	0.13	300	0.85±0.2
EFH2012-3N9	3.9	S,K	12	100	4	0.15	300	0.85±0.2
EFH2012-4N7	4.7	S,K	12	100	3.5	0.20	300	0.85±0.2
EFH2012-5N6	5.6	S,K	15	100	3.2	0.23	300	0.85±0.2
EFH2012-6N8	6.8	J,K	15	100	2.8	0.25	300	0.85±0.2
EFH2012-8N2	8.2	J,K	15	100	2.4	0.28	300	0.85±0.2
EFH2012-10N	10	J,K	15	100	2.1	0.30	300	0.85±0.2
EFH2012-12N	12	J,K	15	100	1.9	0.35	300	0.85±0.2
EFH2012-15N	15	J,K	15	100	1.6	0.40	300	0.85±0.2
EFH2012-18N	18	J,K	15	100	1.5	0.45	300	0.85±0.2
EFH2012-22N	22	J,K	18	100	1.4	0.50	300	0.85±0.2
EFH2012-27N	27	J,K	18	100	1.3	0.55	300	0.85±0.2
EFH2012-33N	33	J,K	18	100	1.2	0.60	300	0.85±0.2
EFH2012-39N	39	J,K	18	100	1.0	0.65	300	0.85±0.2
EFH2012-47N	47	J,K	18	100	0.9	0.70	300	0.85±0.2
EFH2012-56N	56	J,K	18	100	0.8	0.75	300	0.85±0.2
EFH2012-68N	68	J,K	18	100	0.7	0.80	300	0.85±0.2
EFH2012-82N	82	J,K	18	100	0.6	0.90	300	0.85±0.2
EFH2012-R10	100	J,K	18	100	0.6	0.90	300	0.85±0.2
EFH2012-R12	120	J,K	13	50	0.5	0.95	300	0.85±0.2
EFH2012-R15	150	J,K	13	50	0.5	1.00	300	1.25±0.2
EFH2012-R18	180	J,K	13	50	0.4	1.10	300	1.25±0.2
EFH2012-R22	220	J,K	12	50	0.35	1.20	300	1.25±0.2
EFH2012-R27	270	J,K	12	50	0.30	1.30	200	1.25±0.2
EFH2012-R33	330	J,K	12	50	0.25	1.40	200	1.25±0.2
EFH2012-R39	390	J,K	10	50	0.25	1.40	200	1.25±0.2
EFH2012-R47	470	J,K	10	50	0.20	1.50	200	1.25±0.2
EFH2012-R56	560	J,K	10	25	0.18	5.00	50	1.25±0.2
EFH2012-R68	680	J,K	10	25	0.16	5.50	50	1.25±0.2

## TAPE & REEL PACKAGING

### ■ Packaging - Cover Tape



Reel Dimensions		
Reel type	W=8mm	W=12mm
A	Φ178mm	Φ178mm
N	Φ50mm min.	Φ50mm min.
$W_1$	8.4+1.5mm	12.4+2.0mm
$W_2$	14.4mm max.	18.4mm max.

### ■ Packaging Quantity

Type	Reel/Tape
100505	10000
160808	4000
201209	4000
201212	3000
321611	3000
321616	2000

Type	Reel/Tape
EWL2520	2000
EWL3225	2000
EWL4532	500
EWH0603	4000
EWH0805	2000
EWH1008	2000