



Terminal Block

PLUG IN TYPE TERMINAL BLOCK

TÜV R50130520
E133988(R)

ETB88 SERIES

SOCKET TYPE

PITCH=3.5mm

FEATURES

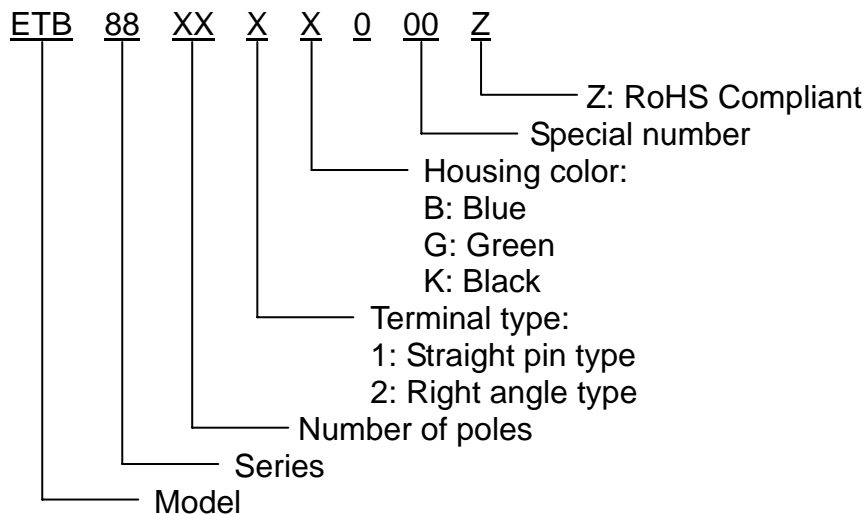
- Special wire protector design to ensure reliable wire clamping
- Be capable of clamping a wide range of wire diameters
- The Male connector of plug using a twin leaf phosphor bronze contact mates with the Female socket
- The Female socket is mounted and soldered to the P.C.B.
- Good for insertion & withdrawal
- UL 94V-0 grade fire retardant engineering plastic used for the housing

SPECIFICATIONS

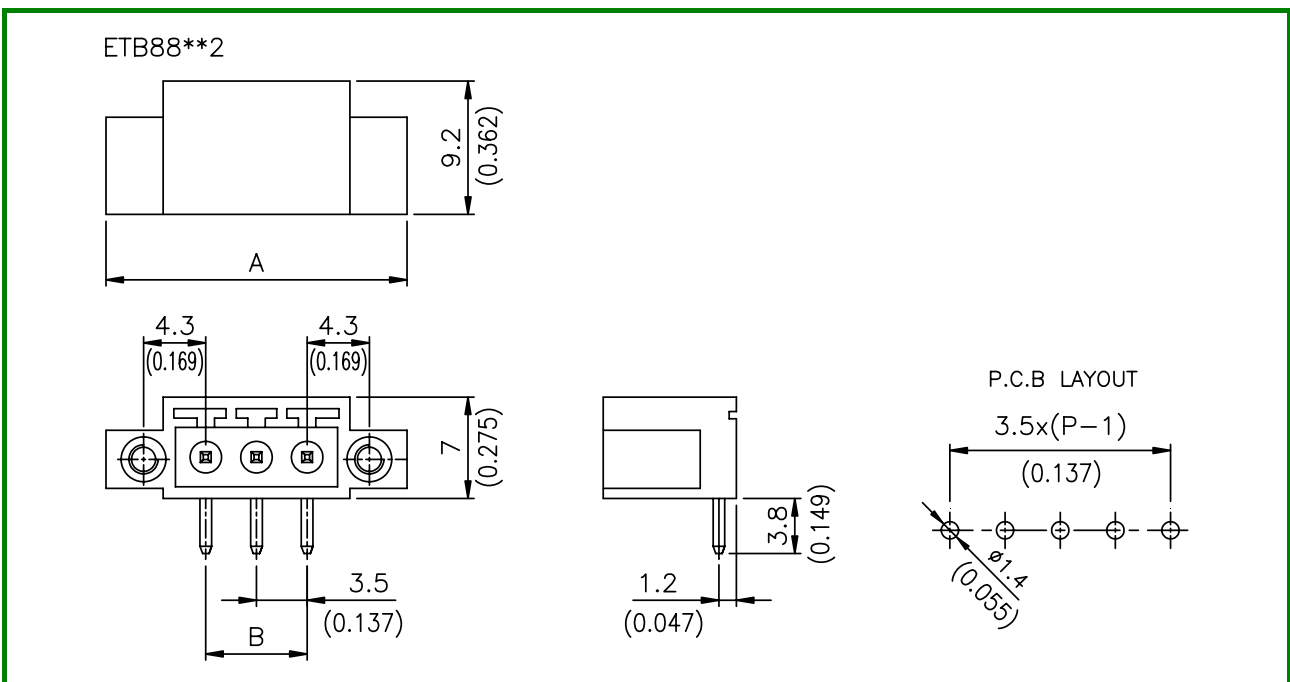
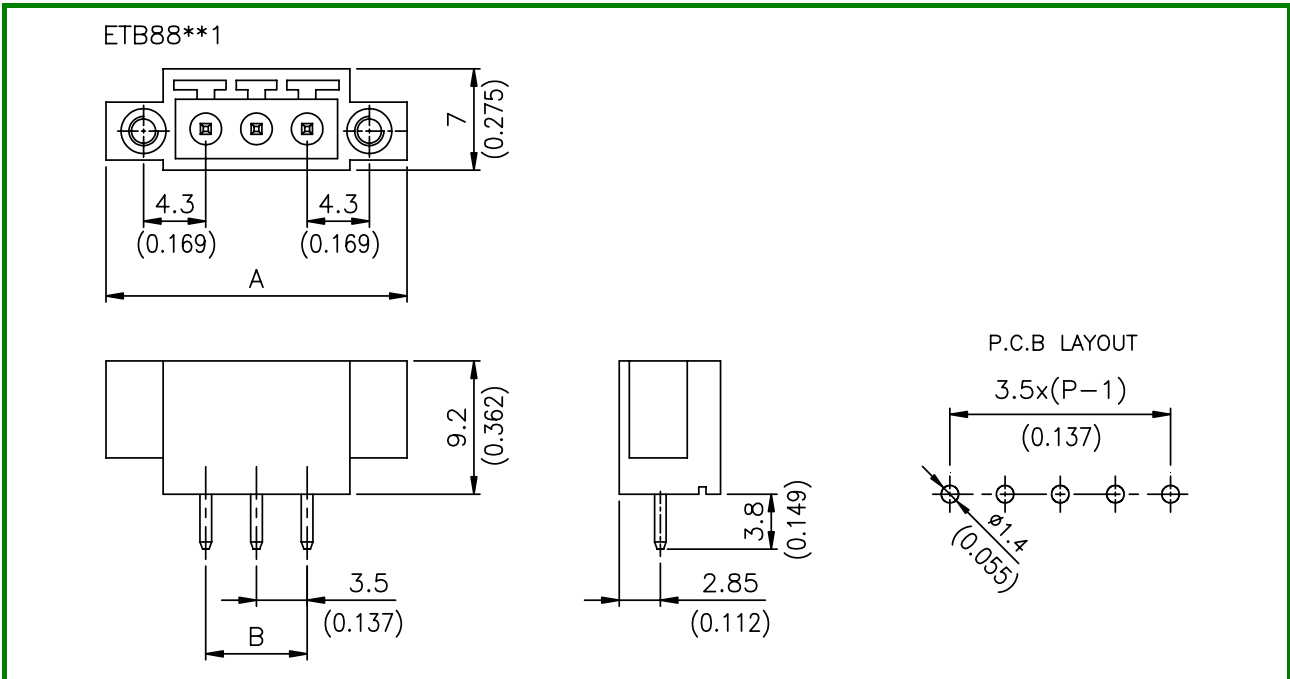
- Pitch 3.50mm
- No. of pole per block 2P to 16P
- Rating 6 Amp, 300 VAC
- Housing PA66
- Terminals Tin plated over Phosphor bronze
- Operating temperature -30°C ~ +110°C
(includes temperature rise limit)
- UL Approval 300V, 6A
- TUV Approval 130V, 8A Max.



PART NUMBERING SYSTEM



DRAWING



POLE DIM.	2	3	4	5	6	7	8	9	10	11	12	13	14	15	16
A	17.3 (0.681)	20.8 (0.819)	24.3 (0.957)	27.8 (1.094)	31.3 (1.232)	34.8 (1.370)	38.3 (1.508)	41.8 (1.646)	45.3 (1.783)	48.8 (1.921)	52.3 (2.059)	55.8 (2.197)	59.3 (2.335)	62.8 (2.472)	66.3 (2.610)
B	3.5 (0.138)	7.0 (0.276)	10.5 (0.413)	14.0 (0.551)	17.5 (0.689)	21.0 (0.827)	24.5 (0.965)	28.0 (1.102)	31.5 (1.240)	35.0 (1.378)	38.5 (1.516)	42.0 (1.654)	45.5 (1.792)	49.0 (1.929)	52.5 (2.067)