



# Terminal Block

## PLUG IN TYPE TERMINAL BLOCK

TÜV R50130520  
E133988(R)

ETB47 SERIES

SOCKET TYPE

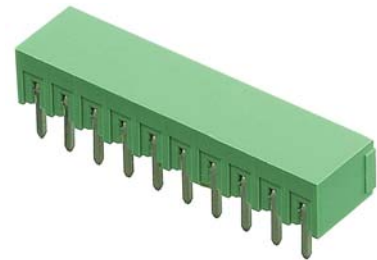
PITCH=3.81mm

### FEATURES

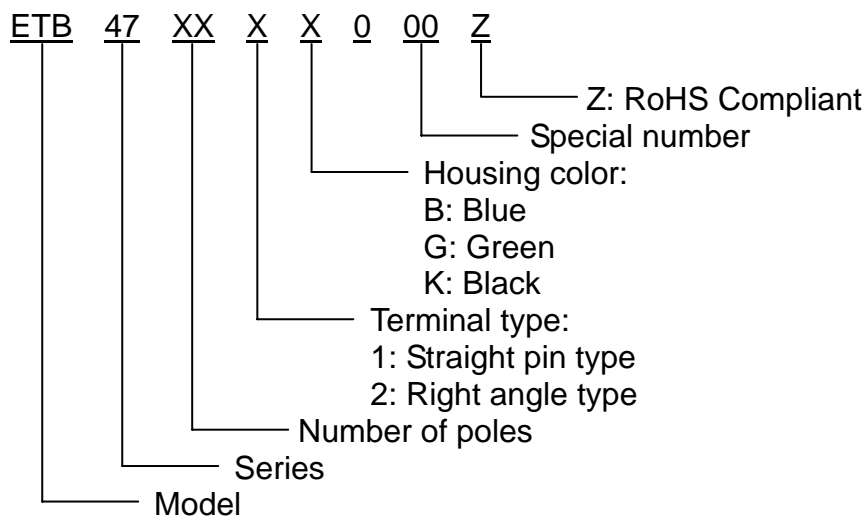
- Special wire protector design to ensure reliable wire clamping
- Be capable of clamping a wide range of wire diameters
- The Male connector of plug using a twin leaf phosphor bronze contact mates with the Female socket
- The Female socket is mounted and soldered to the P.C.B.
- Good for insertion & withdrawal
- UL 94V-0 grade fire retardant engineering plastic used for the housing

### SPECIFICATIONS

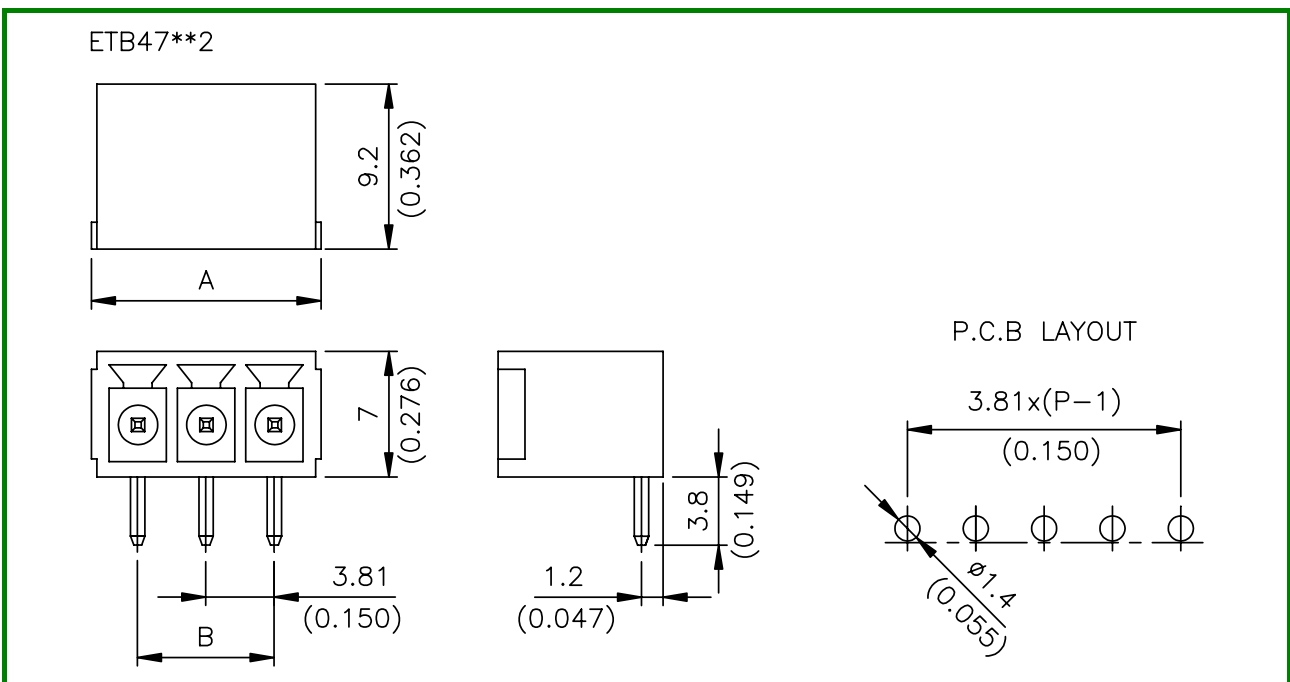
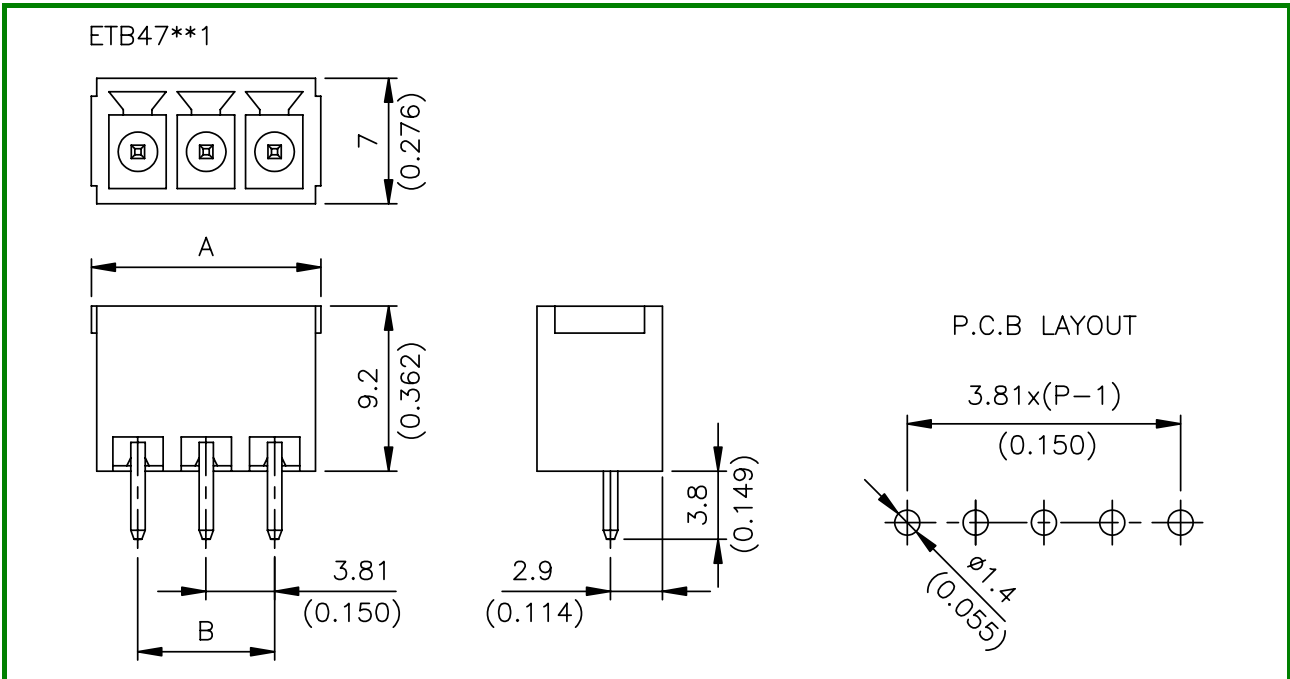
- Pitch 3.81mm
- No. of pole per block 2P to 16P
- Rating 7 Amp, 300 VAC
- Housing PA66
- Terminals Tin plated over Phosphor bronze
- Operating temperature  $-30^{\circ}\text{C} \sim +105^{\circ}\text{C}$   
(includes temperature rise limit)
- UL Approval 300V, 7A
- TUV Approval 130V, 8A Max.



### PART NUMBERING SYSTEM



## ■ DRAWING



POLE DIM.	2	3	4	5	6	7	8	9	10	11	12	13	14	15	16
A	8.99 (0.354)	12.80 (0.504)	16.61 (0.654)	20.42 (0.804)	24.23 (0.954)	28.04 (1.104)	31.85 (1.254)	35.66 (1.404)	39.47 (1.554)	43.28 (1.704)	47.09 (1.854)	50.90 (2.004)	54.71 (2.154)	58.52 (2.304)	62.33 (2.454)
B	3.81 (0.150)	7.62 (0.300)	11.43 (0.450)	15.24 (0.600)	19.05 (0.750)	22.86 (0.900)	26.67 (1.050)	30.48 (1.200)	34.29 (1.350)	38.10 (1.500)	41.91 (1.650)	45.72 (1.800)	49.53 (1.950)	53.34 (2.100)	57.15 (2.250)