

PLUG IN TYPE TERMINAL BLOCK

E133988(R)

ETB4C SERIES

CLAMPING TYPE

PITCH=5.08mm

FEATURES

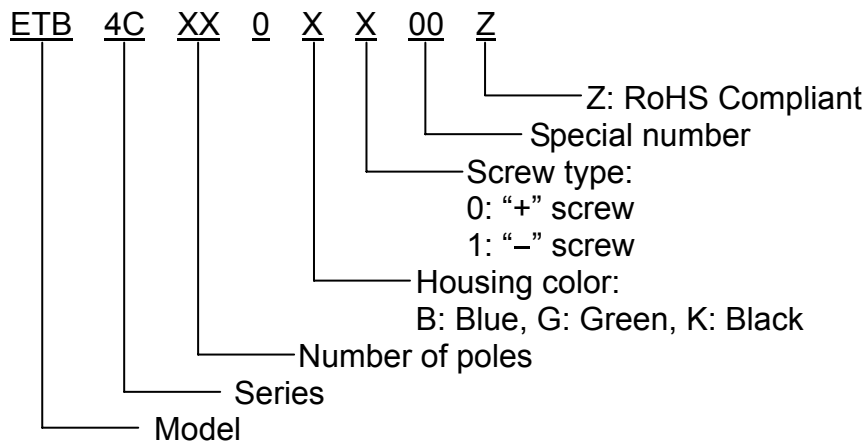
- Special wire protector design to ensure reliable wire clamping
- Be capable of clamping a wide range of wire diameters
- The Male connector of plug using a twin leaf phosphor bronze contact mates with the Female socket
- The Female socket is mounted and soldered to the P.C.B.
- Good for insertion & withdrawal
- UL 94V-0 grade fire retardant engineering plastic used for the housing

SPECIFICATIONS

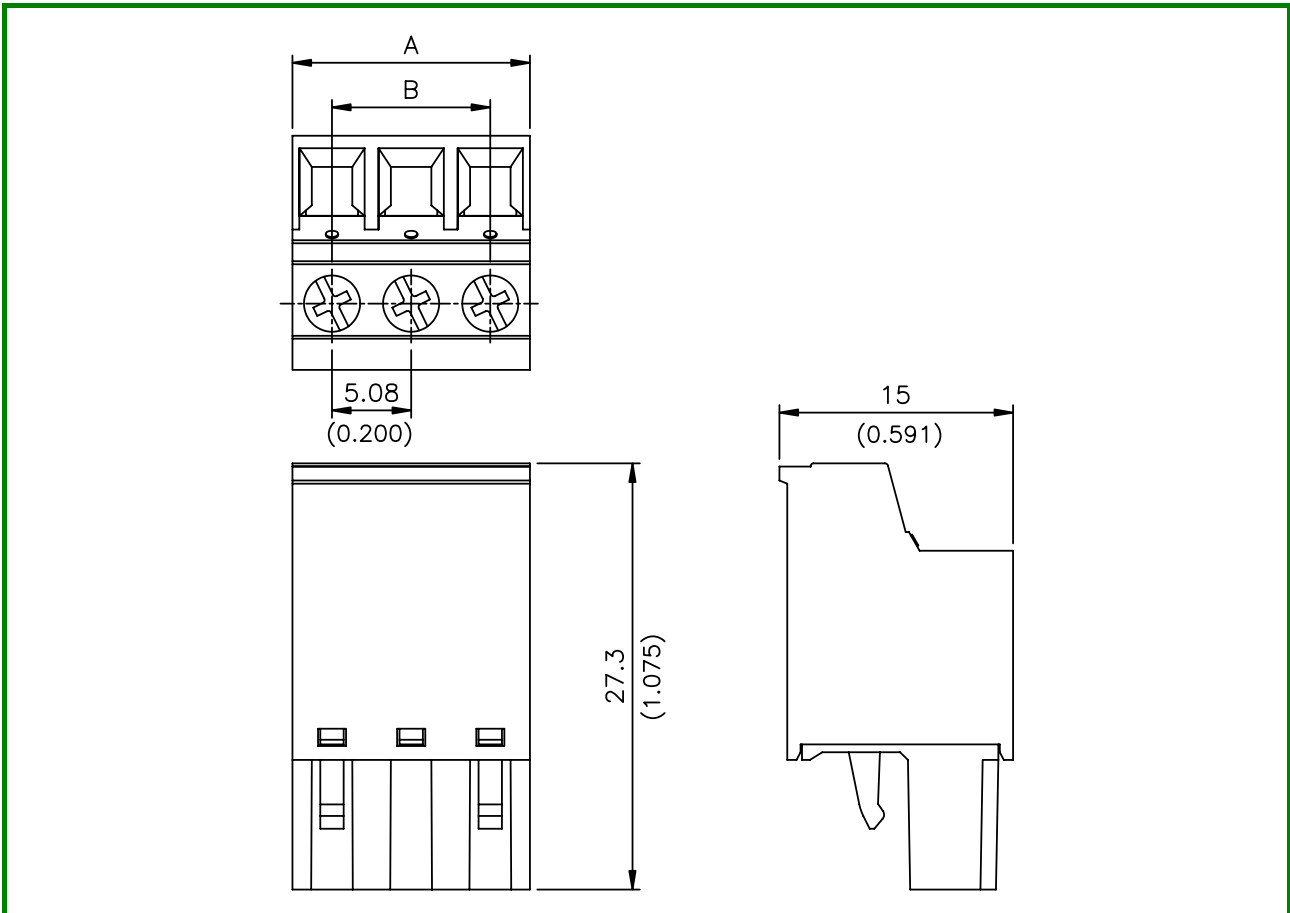
- | | |
|-------------------------|--|
| ● Pitch | 5.08mm |
| ● Wire range | 24~12 AWG (4.0mm ²) |
| ● No. of pole per block | 2P to 16P |
| ● Rating | 12 Amp, 300 VAC |
| ● Housing | PA66 |
| ● Wire cage | Zinc plated over Steel |
| ● Contacts | Tin plated over Phosphor bronze |
| ● Screws | M2.5x0.45P, Zinc plated over Steel |
| ● Iron one | Zinc Plated over Steel |
| ● Torque | 0.57 N-m (5.0 lb-in) (tested by manual torque screwdriver) |
| ● Operating temperature | -30°C~+110°C (includes temperature rise limit) |
| ● Stripping length | 10mm |
| ● Contact resistance | <15mΩ |
| ● UL Approval | 300V, 12A, 24~12 AWG |
| ● Plug in with ETB43 | |



PART NUMBERING SYSTEM



■ DRAWING



POLE DIM.	2	3	4	5	6	7	8	9	10	11	12	13	14	15	16
A	10.16 (0.400)	15.24 (0.600)	20.32 (0.800)	25.40 (1.000)	30.48 (1.200)	35.56 (1.400)	40.64 (1.600)	45.72 (1.800)	50.80 (2.000)	55.88 (2.200)	60.96 (2.400)	66.04 (2.600)	71.12 (2.800)	76.20 (3.000)	81.28 (3.200)
B	5.08 (0.200)	10.16 (0.400)	15.24 (0.600)	20.32 (0.800)	25.40 (1.000)	30.48 (1.200)	35.56 (1.400)	40.64 (1.600)	45.72 (1.800)	50.80 (2.000)	55.88 (2.200)	60.96 (2.400)	66.04 (2.600)	71.12 (2.800)	76.20 (3.000)