

## EUROSTYLE P.C.B. TERMINAL BLOCK

ETB02 SERIES

WIRE PROTECTOR TYPE

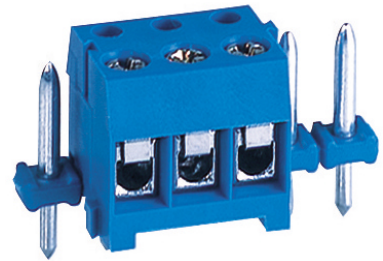
PITCH=3.5 / 7.0mm

### FEATURES

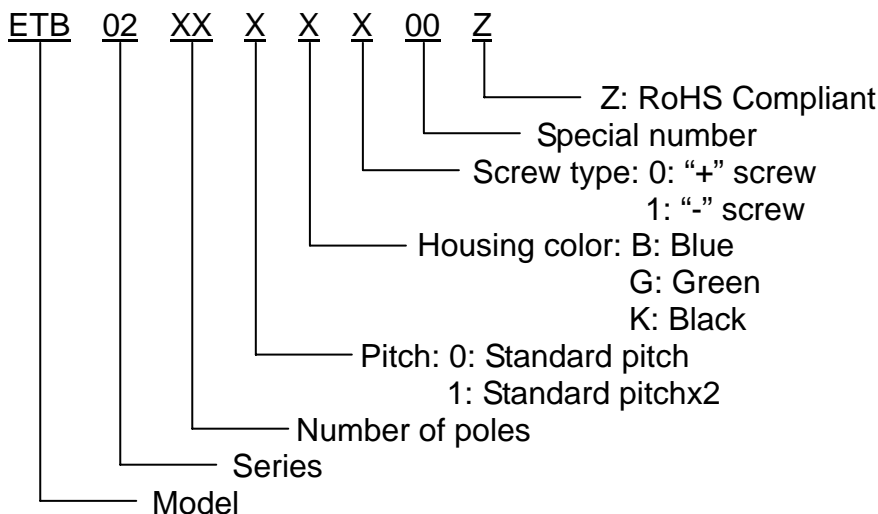
- Easy to assemble for any number of positions
- End stackable without any loss of P.C.B. space
- Special wire protector design to ensure reliable wire clamping
- UL 94V-0 grade fire retardant engineering plastic used for the housing
- Be capable of clamping a wide range of wire diameters
- Compact size for P.C.B.

### SPECIFICATIONS

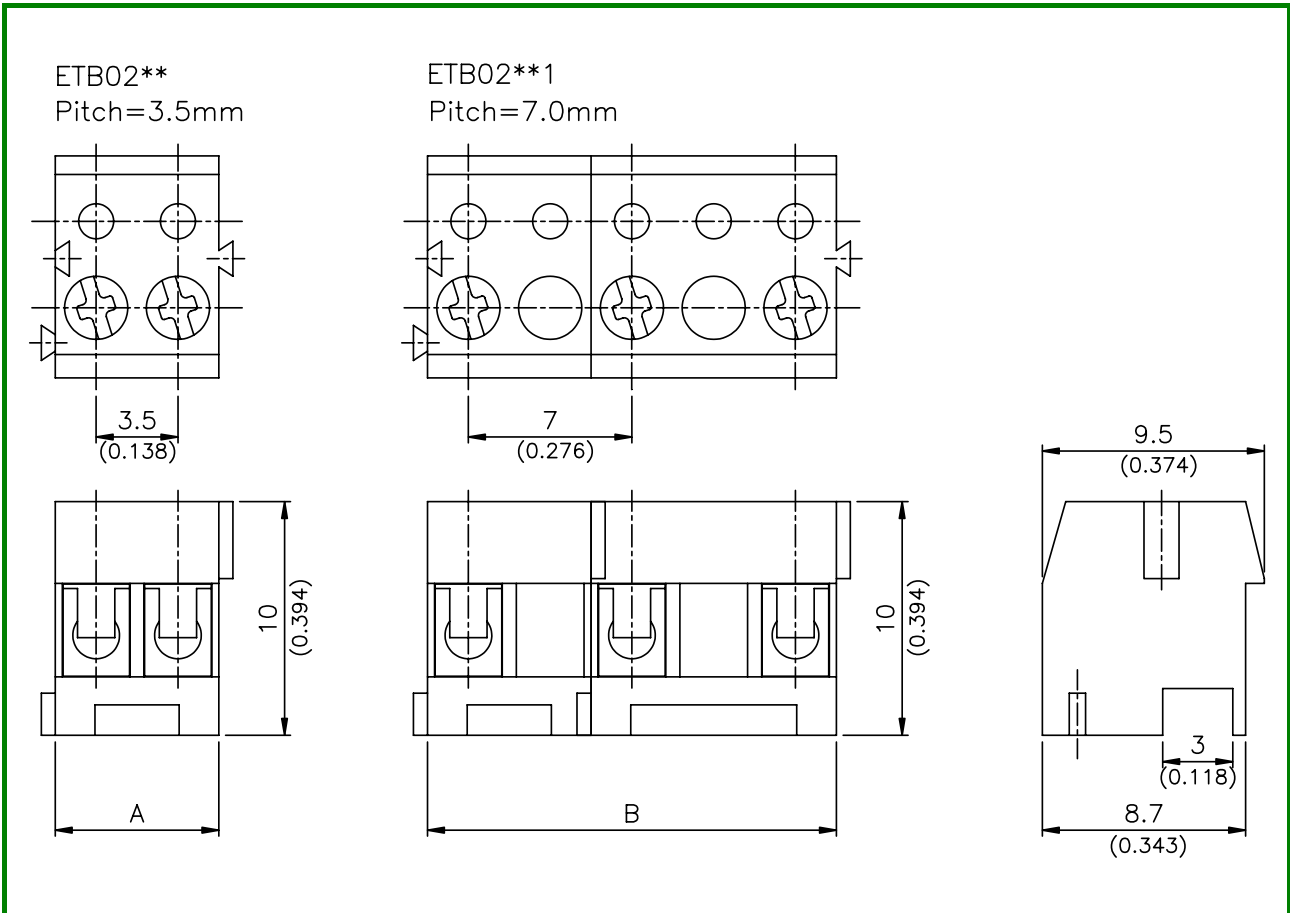
- Pitch 3.5mm, 7.0mm
- Wire range 28~18 AWG (0.75mm<sup>2</sup>)
- No. of pole per block 2P or 3P
- Rating 8 Amp, 300 VAC
- Housing PA66
- Screws M2.0x0.4P, Zinc plated over Steel
- Wire cage Nickel plated over Zinc Alloy
- Wire protector Nickel plated over Beryllium Copper
- Torque 0.2 N-m (1.7 lb-in) (tested by manual torque screwdriver)
- Operating temperature -30°C ~ +110°C (includes temperature rise limit)
- Stripping length 4.5mm



### PART NUMBERING SYSTEM



## ■ DRAWING



| POLE DIM. | 2               | 3               | 4               | 5               | 6               | 7               | 8               | 9               | 10              | 11              | 12              | 13              |
|-----------|-----------------|-----------------|-----------------|-----------------|-----------------|-----------------|-----------------|-----------------|-----------------|-----------------|-----------------|-----------------|
| A         | 7.0<br>(0.276)  | 10.5<br>(0.413) | 14.0<br>(0.551) | 17.5<br>(0.689) | 21.0<br>(0.827) | 24.5<br>(0.965) | 28.0<br>(1.102) | 31.5<br>(1.240) | 35.0<br>(1.378) | 38.5<br>(1.516) | 42.0<br>(1.654) | 45.5<br>(1.791) |
| B         | 10.5<br>(0.413) | 17.5<br>(0.689) | 24.5<br>(0.965) | 31.5<br>(1.240) | 38.5<br>(1.516) | 45.5<br>(1.791) | 52.5<br>(2.067) | 59.5<br>(2.343) | 66.5<br>(2.618) | 73.5<br>(2.894) | 80.5<br>(3.169) |                 |
| POLE DIM. | 14              | 15              | 16              | 17              | 18              | 19              | 20              | 21              | 22              | 23              | 24              |                 |
| A         | 49.0<br>(1.929) | 52.5<br>(2.067) | 56.0<br>(2.205) | 59.5<br>(2.343) | 63.0<br>(2.480) | 66.5<br>(2.618) | 70.0<br>(2.756) | 73.5<br>(2.894) | 77.0<br>(3.031) | 80.5<br>(3.169) | 84.0<br>(3.307) |                 |

## EUROSTYLE P.C.B. TERMINAL BLOCK

ETB02 SERIES

STRIP PIN TYPE

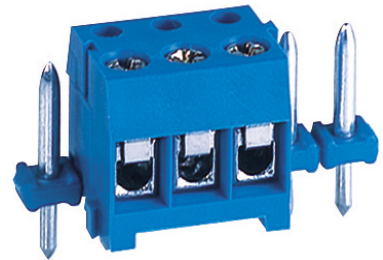
PITCH=3.5 / 7.0mm

### FEATURES

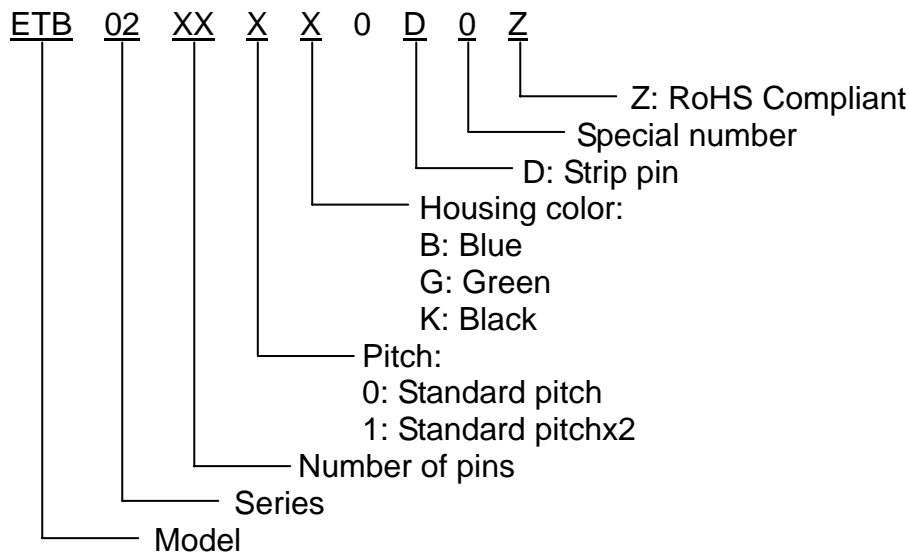
- Easy to assemble for any number of positions
- End stackable without any loss of P.C.B. space
- Special wire protector design to ensure reliable wire clamping
- UL 94V-0 grade fire retardant engineering plastic used for the housing
- Be capable of clamping a wide range of wire diameters
- Compact size for P.C.B.

### SPECIFICATIONS

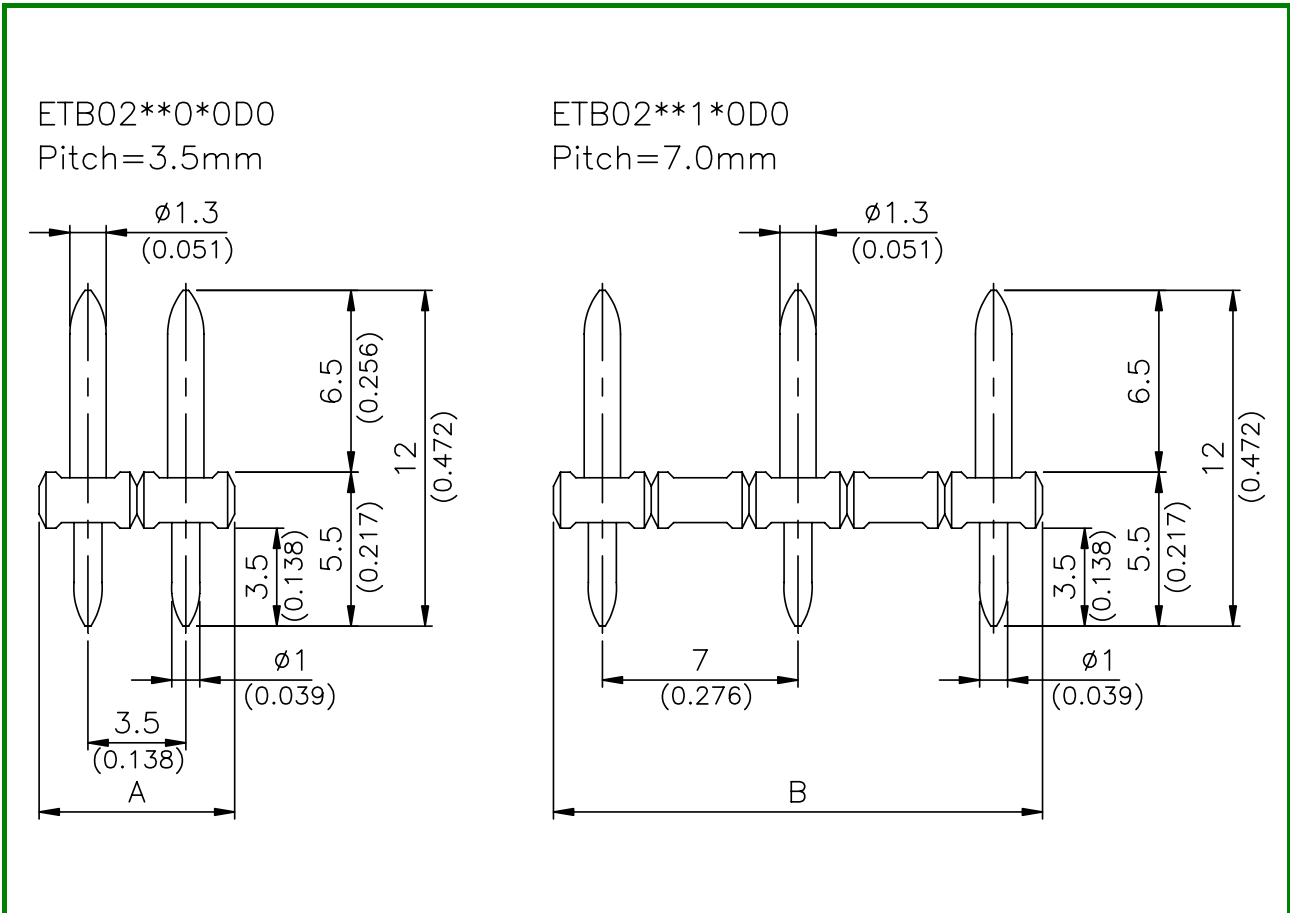
- Pitch 3.5mm, 7.0mm
- No. of pin per block 2P to 24P
- Rating 8 Amp, 300 VAC
- Housing PA66
- Terminals Tin plated over Brass
- Operating temperature -30°C ~ +110°C  
(includes temperature rise limit)



### PART NUMBERING SYSTEM



## ■ DRAWING



| POLE DIM. | 2               | 3               | 4               | 5               | 6               | 7               | 8               | 9               | 10              | 11              | 12              | 13              |
|-----------|-----------------|-----------------|-----------------|-----------------|-----------------|-----------------|-----------------|-----------------|-----------------|-----------------|-----------------|-----------------|
| A         | 7.0<br>(0.276)  | 10.5<br>(0.413) | 14.0<br>(0.551) | 17.5<br>(0.689) | 21.0<br>(0.827) | 24.5<br>(0.965) | 28.0<br>(1.102) | 31.5<br>(1.240) | 35.0<br>(1.378) | 38.5<br>(1.516) | 42.0<br>(1.654) | 45.5<br>(1.791) |
| B         | 10.5<br>(0.413) | 17.5<br>(0.689) | 24.5<br>(0.965) | 31.5<br>(1.240) | 38.5<br>(1.516) | 45.5<br>(1.791) | 52.5<br>(2.067) | 59.5<br>(2.343) | 66.5<br>(2.618) | 73.5<br>(2.894) | 80.5<br>(3.169) |                 |
| POLE DIM. | 14              | 15              | 16              | 17              | 18              | 19              | 20              | 21              | 22              | 23              | 24              |                 |
| A         | 49.0<br>(1.929) | 52.5<br>(2.067) | 56.0<br>(2.205) | 59.5<br>(2.343) | 63.0<br>(2.480) | 66.5<br>(2.618) | 70.0<br>(2.756) | 73.5<br>(2.894) | 77.0<br>(3.031) | 80.5<br>(3.169) | 84.0<br>(3.307) |                 |