



UNIVERSAL SERIAL BUS CONNECTORS

USB 3.0 A TYPE

ESB23 SERIES

■ FEATURES

- Combines USB2.0 bus and new USB 3.0 Specification Compliance Data transmission SS (SuperSpeed) bus with transfer rate up to 5.0Gbps.
- USB 3.0 accommodates backward compatibility for connecting USB 2.0 device into a USB3.0 bus.
- Input current is increased to 900mA to save more time while charging.
- 9Pin type is full compliant with current USB 3.0 A Type specifications.
- Receptacle and plug housings are UL 94V-0 grade fire retardant.
- Gold plated contact ensures low contact resistance.
- EMI protection by shielding features.
- Ideal for connecting portable PCs, Notebook, and slim peripheral equipment.

■ SPECIFICATIONS

1.ELECTRICAL

- Voltage rating: 30mVAC(rms)
- Current rating: 1A
- Contact resistance: 30mΩ Max.
- Insulation resistance: 1000MΩ Min.
- Dielectric strength: 500VAC/1minute.
- Ambient operating temperature: -55°C to +85°C

2.MECHANICAL

- Standard Durability class: 1500 cycles Min.
- High Durability class: 5000 cycles Min.
- Mating force: 35N Max.
- Unmating force: 10N Min.

■ MATERIALS

1.MATERIAL

- Contacts: Copper Alloy
- Shell: SUS304
- Housing: Thermoplastic High-Temp

2.PLATING

- Nickel In All Area
- Contact Area: Au over Nickel
- Solder Area: Tin(Sn) over Nickel
- Shell: Tin(Sn) over Nickel

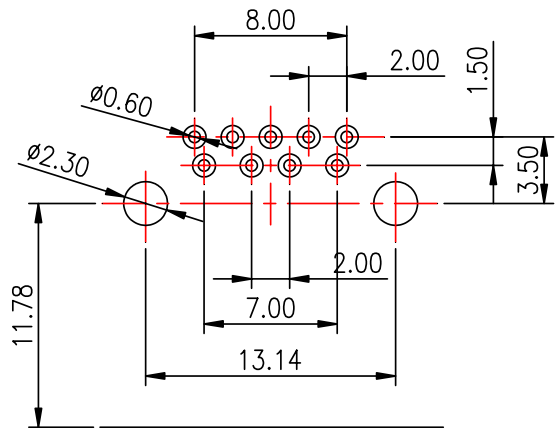
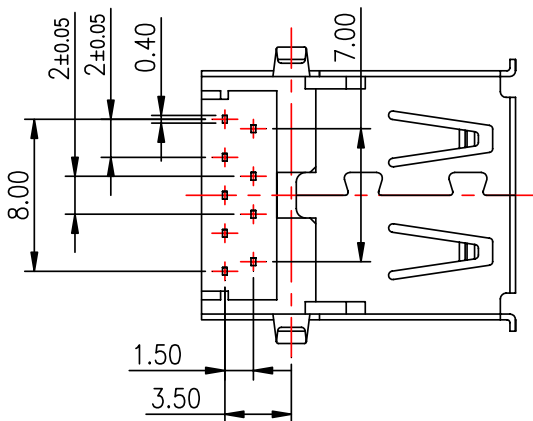
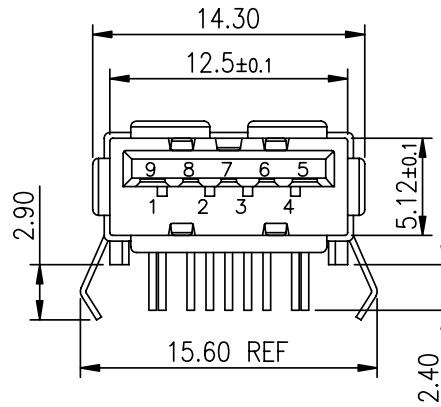
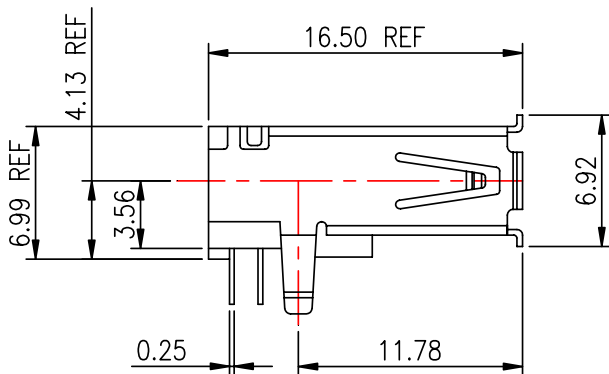
■ PACKING

1.Packing method

- 1-1.All cable are packed into ploy bags and then packed into boxes.
- 1-2.All connector are packed using tape & reel methods.

■ DIMENSIONS UNIT:mm

ESB2309L223L
 Connection Style: USB 3.0 A/F



RECOMMENDED PCB LAYOUT
 TOLERANCES: $\pm 0.05\text{mm}$