

2.0mm Contact Spacing, Board to Wire Dip Connectors

EBW14 SERIES

■ FEATURES

- Pin header finish Tin Plating.
- Apply PCB hole dimension $\phi 0.8 \pm 0.05$
- No. of contact: 2~16 Pin
- 2.0mm contact spacing.

■ SPECIFICATIONS

1.ELECTRICAL

- Voltage rating: 250V
- Current rating: 2.0A max.
- Contact resistance: 20m Ω max. (initial)
- Insulation resistance: 1000M Ω min.
- Withstanding voltage: 800V AC for 1 min. (max.)
- Ambient temperature range: -25°C to +85°C
- Humidity: 85%, Operating temperature: 0 to 40°C
- Solderability: 235°C, 5sec

2.MECHANICAL

- Durability: Mate & Unmate with applicability for 50 times, Contact resistance: 20m Ω max.
- Connector Mating Force: 24.5 ~ 93.1N max.
- Connector Unmating Force: 7.8 ~ 21.6N min.

■ MATERIALS

1.MATERIAL

- Contacts: Phosphor Bronze , Brass
- Insulator Housing: High Temp. Thermoplastic

2.PLATING

Contact:

- Nickel In All Area
- Tin over Nickel (RoHS Compliant)

■ PACKING

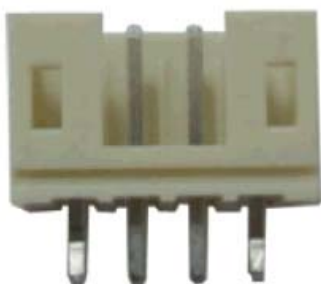
1.Packing method

- All connector are packed in bulk method.

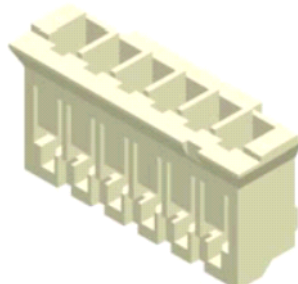
2.Information on label (stuck to each ploy bag, reel and box)

- | | | | |
|--------------|------------------|--------------|--------------|
| (1)Part NO. | (2)Section. | (3)Lot NO. | (4)Quantity. |
| (5)QC stamp. | (6)Reprocess NO. | (7)ECE mark. | |

EBW14-P*T36W-31Z**



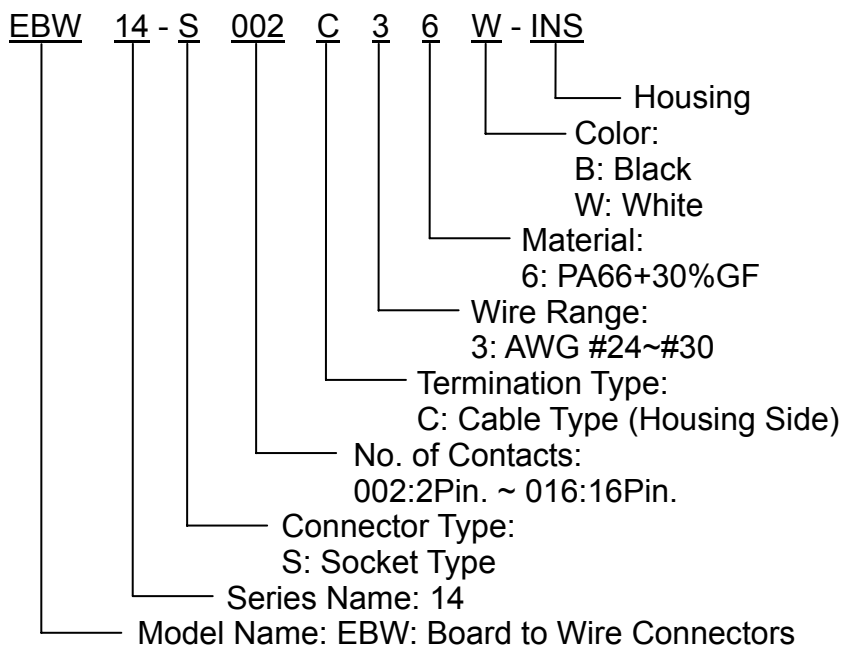
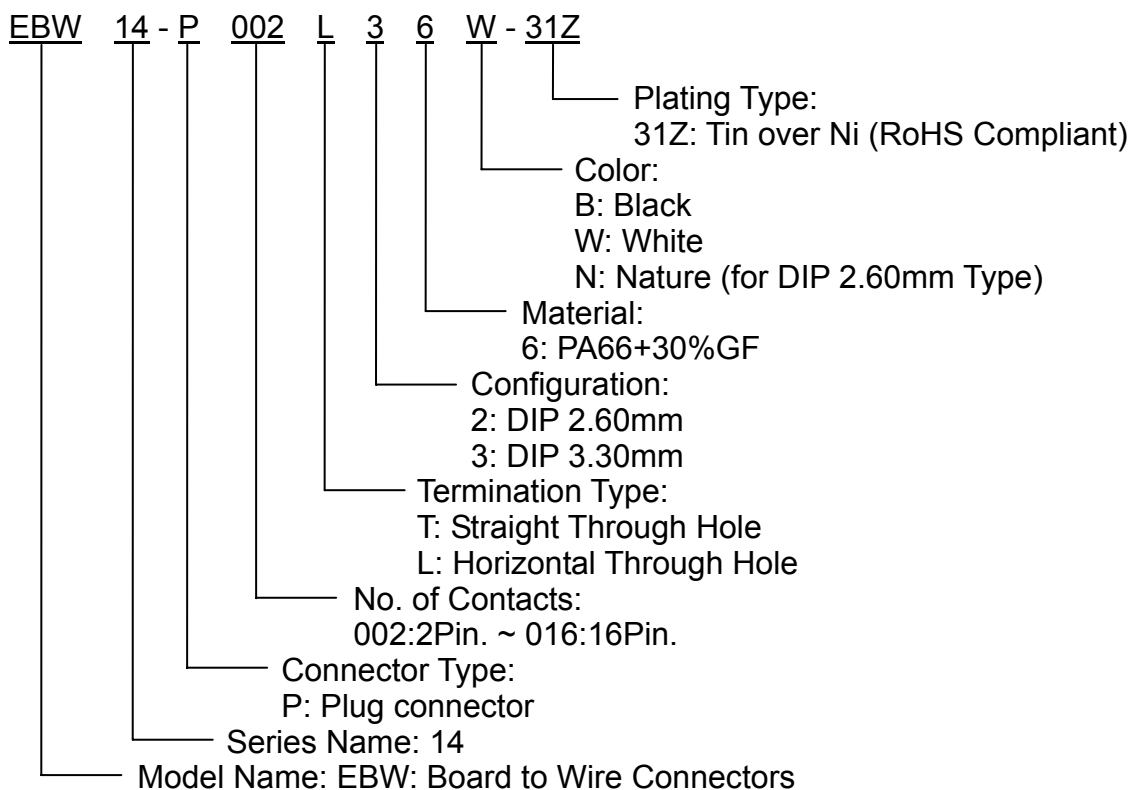
EBW14-S*C36W-INS**

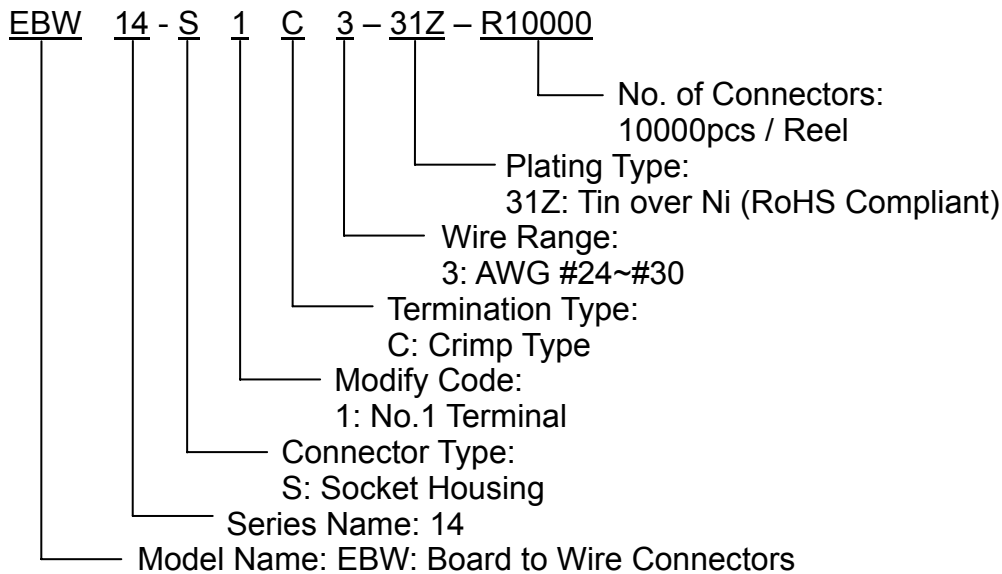


EBW14-S1C3-31Z



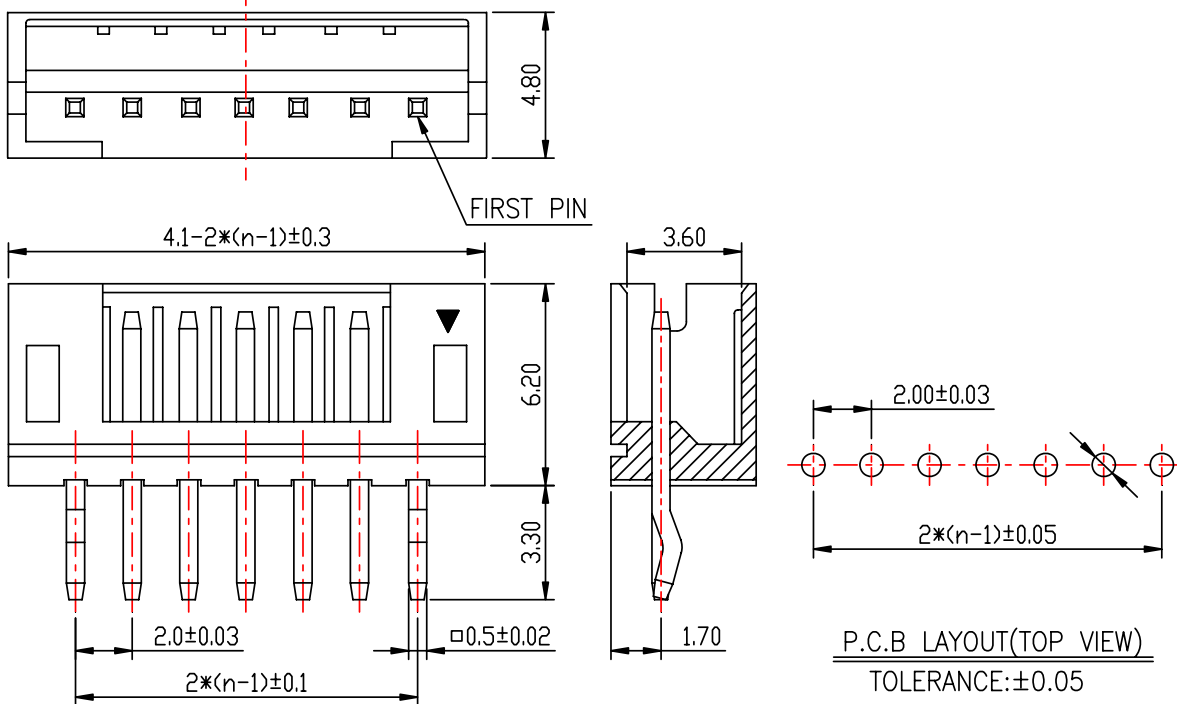
■ PART NUMBERING SYSTEM



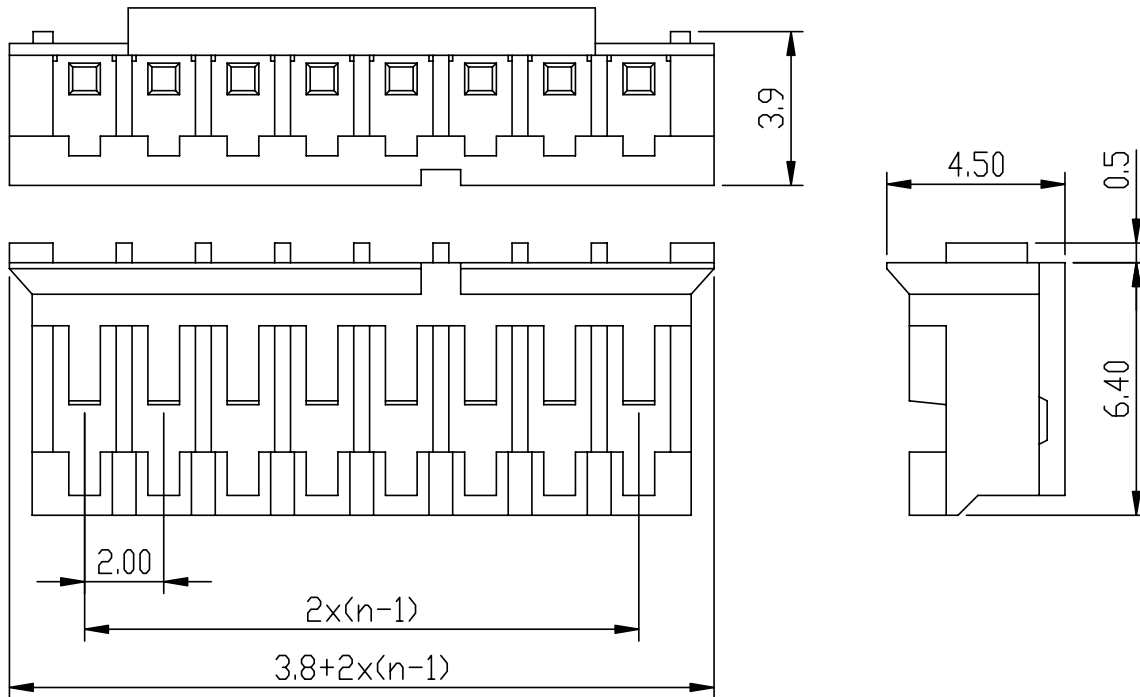


■ DIMENSIONS UNIT:mm

EBW14-P***T36W-31Z UNIT:mm
 Connection Style: Vertical Straight Type



EBW14-SxxxC36-INS UNIT:mm
 Connection Style : Socket Housing



EBW14-S1C3-31Z-R10000 UNIT:mm
 Connection Style: Vertical Straight Type

